

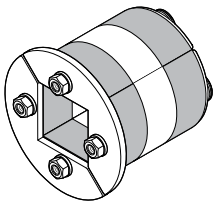
Safety information

Roxtec recommends that all installations are performed without facility operation. Follow national regulations and installation codes. Any action affecting the routed service should be performed according to manufacturer recommendations.

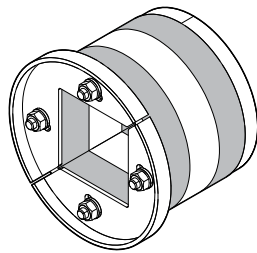


Installation instructions Roxtec R EMC Roxtec RO EMC

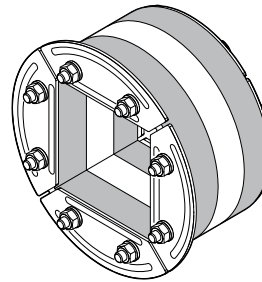
Roxtec R EMC frames



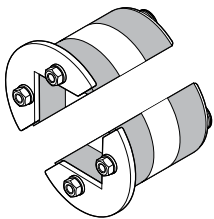
Roxtec R 70-75 EMC



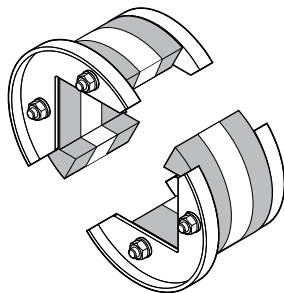
Roxtec R 100 EMC



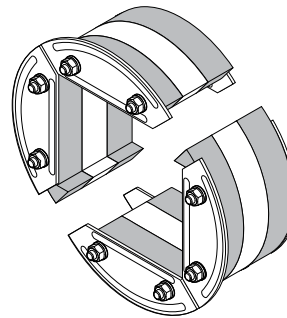
Roxtec R 125-200 EMC



Roxtec RO 70-75 EMC.
To convert a standard R 70-75 EMC frame to an openable frame, see page 8.



Roxtec RO 100 EMC openable



Roxtec RO 125-200 EMC openable



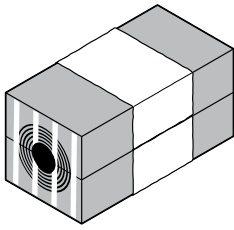
Roxtec Lubricant

Roxtec R EMC and RO EMC frames

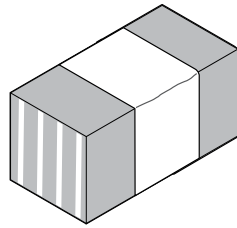
measures in millimeters (mm)

Frame size	Minimum aperture diameter	Maximum aperture diameter	Clearance depth	Packing space	Tightening torque (Nm)
70	70	72	84	40 x 40	7
75	75	77	84	40 x 40	7
100	100	102	85	60 x 60	7
125	125	127	79	80 x 80	7
127	127	129	79	80 x 80	7
150	150	152	85	90 x 90	10
200	200	202	85	120 x 120	10

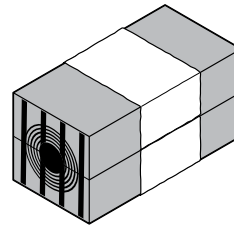
Roxtec RM EMC modules



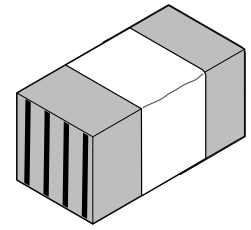
Roxtec ES module



Roxtec solid ES module



Roxtec PE module



Roxtec solid PE module

Roxtec RM ES modules

measures in millimeters (mm)

Module size	For cable/pipe outer diameter	
	Minimum	Maximum
RM 15 ES	3	11
RM 15w40 ES	3.5	10.5
RM 20 ES	4	14.5
RM 20w40 ES	3.5	16.5
RM 30 ES	10	25
RM 30H90 ES	10	25
RM 40 ES	21.5	34.5
RM 40 10-32 ES	9.5	32.5
RM 40H80 ES	21.5	34.5
RM 60 ES	28	54
RM 60 24-54 ES	24	54
RM 80 ES	48	71
RM 90 ES	48	71
RM 120 ES	67.5	99

Roxtec RM PE modules

measures in millimeters (mm)

Module size	For cable/pipe outer diameter	
	Minimum	Maximum
RM 15 PE	3	11
RM 15w40 PE	3.5	10.5
RM 20 PE	4	14.5
RM 20w40 PE	3.5	16.5
RM 30 PE	10	25
RM 30H90 PE	10	25
RM 40 PE	21.5	34.5
RM 40 10-32 PE	9.5	32.5
RM 40H80 PE	21.5	34.5
RM 60 PE	28	54
RM 60 24-54 PE	24	54
RM 80 PE	48	71
RM 90 PE	48	71
RM 120 PE	67.5	99

Unused modules can be used as spare capacity.
Center cores must always be present in unused modules.

Roxtec RM ES solid modules

Module size

RM 10/0 ES

RM 10w120/0 ES

RM 15/0 ES

RM 20/0 ES

RM 30/0 ES

RM 30H90/0 ES

RM 40/0 ES

RM 40H80/0 ES

RM 60/0 ES

Roxtec RM PE solid modules

Module size

RM 10/0 PE

RM 10w120/0 PE

RM 15/0 PE

RM 20/0 PE

RM 30/0 PE

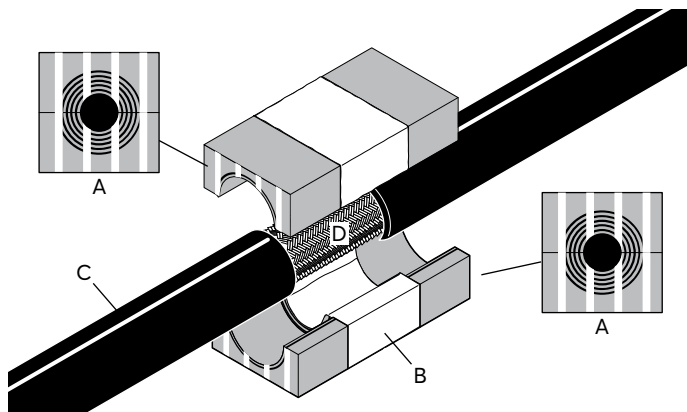
RM 30H90/0 ES

RM 40/0 PE

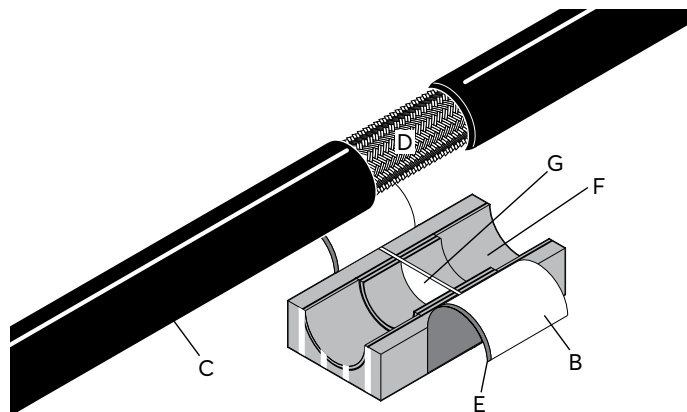
RM 40H80/0 PE

RM 60/0 PE

Roxtec RM ES module

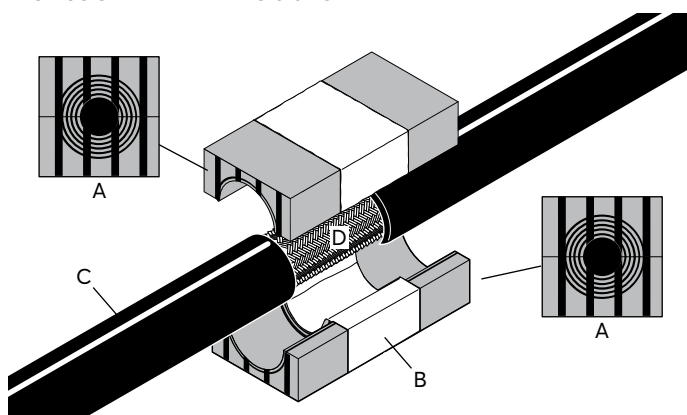


A: Environmental side
B: Conductive tape
C: Cable jacket
D: Cable screen

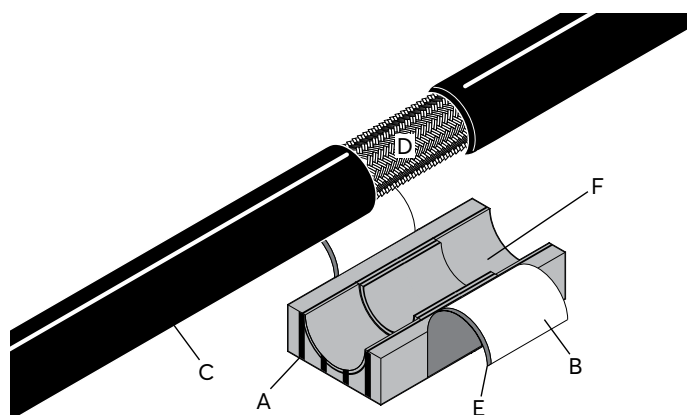


E: Plastic film
F: Layers
G: Vertical ES screen

Roxtec RM PE module



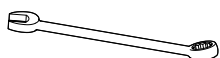
A: Environmental side
B: Conductive tape
C: Cable jacket
D: Cable screen



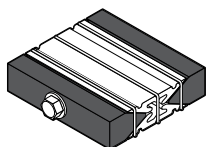
E: Plastic film
F: Layers

Recommended tools

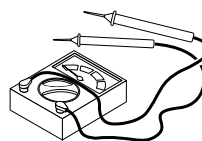
(not included)



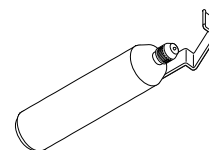
Spanner
10 mm and 13 mm



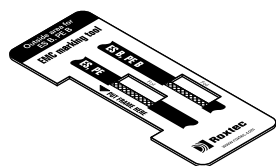
Pre-compression tool



Earth continuity tester

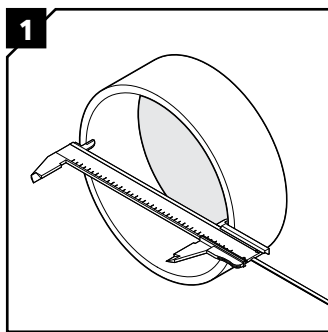


Cable stripper tool.
Recommended by the cable
manufacturer

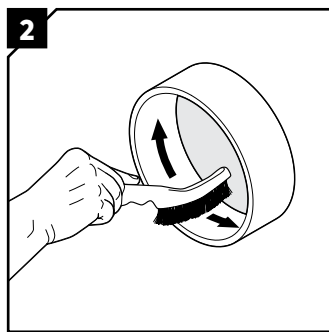


EMC marking tool

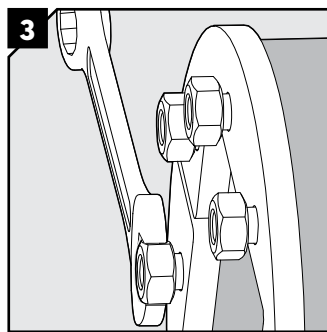
Installation



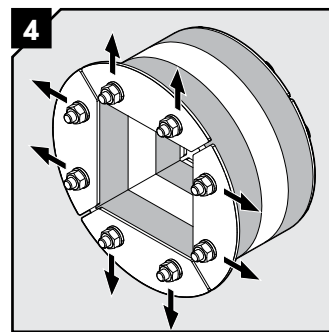
1 Make or verify the aperture.



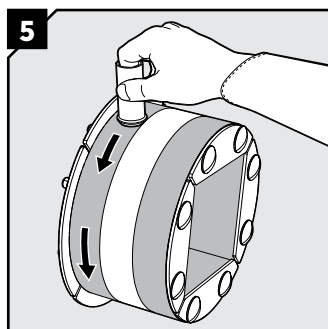
2 Clean the aperture.



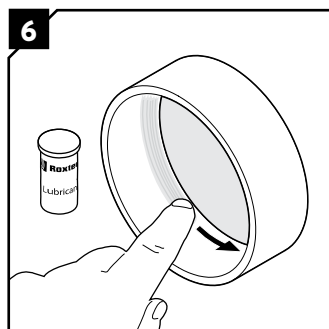
3 Loosen all the nuts.



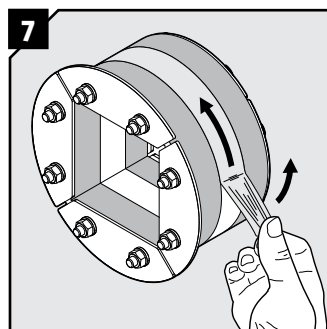
4 Push the front fittings to the sides.



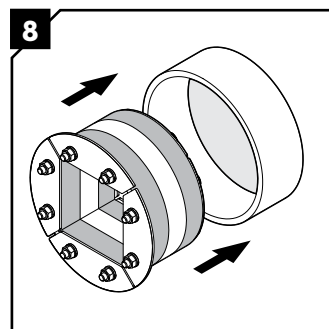
5 Lubricate the rubber closest to the front fittings sparsely.



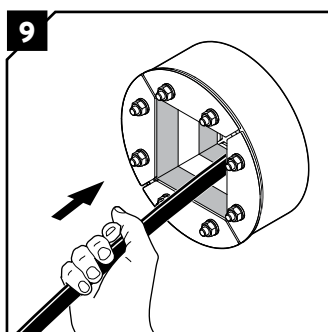
6 Lubricate the rear inner area of the aperture sparsely.



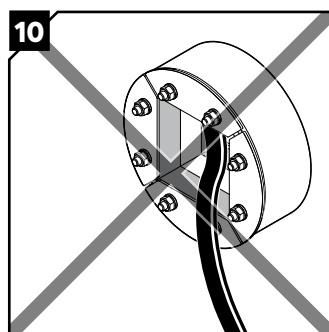
7 Remove the protection tape.



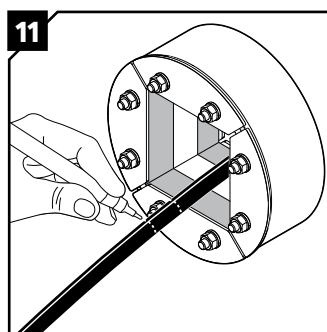
8 Insert the frame.



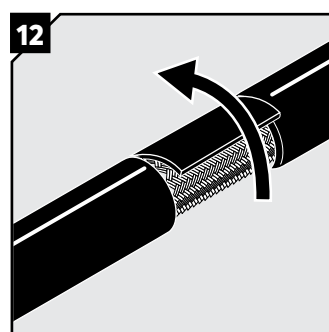
9 Route the cables/pipes. The cable/pipe shall go straight through the frame.



10 Not acceptable.

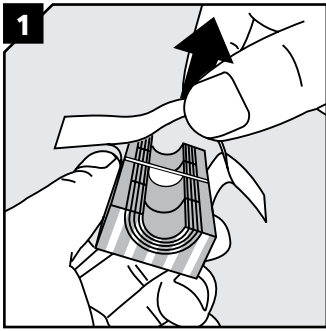


11 Mark where the outer jacket is to be removed to fit the tape position.

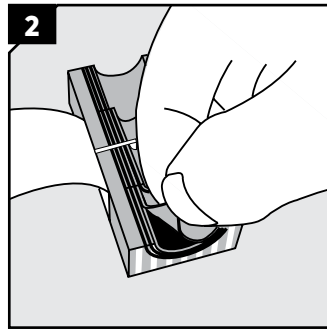


12 Cut and remove the outer jacket and any plastic foil. Make sure the cable screen is clean and conductive.

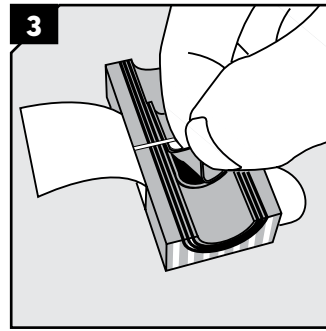
Installation of Roxtec RM ES modules



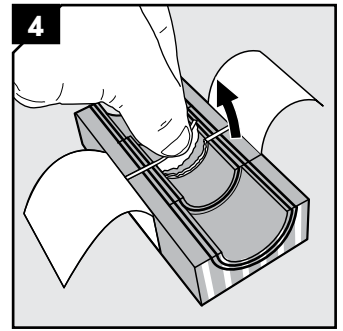
1 Remove the protection paper from the modules and fold back the tape.



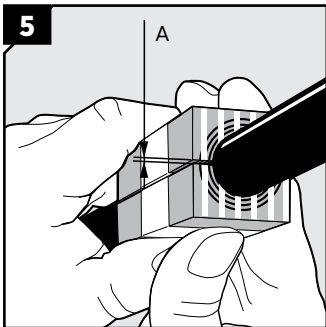
2 Adapt outer layers to cable jacket.



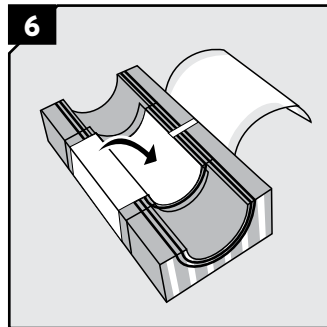
3 Adapt inner layers to cable screen.



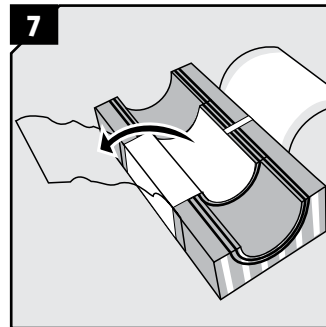
4 Adapt vertical screen to cable screen.



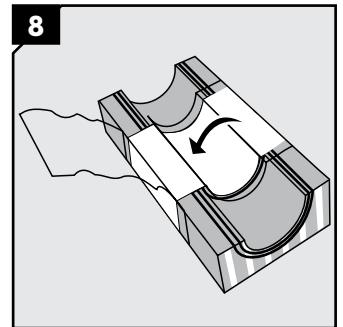
5 Test with a cable. Achieve a gap of 0.1-1.0 mm (A) between the module halves. If not, repeat step 2-4. The halves may not differ by more than one layer. Make sure the cable screen is in good contact with the module tape.



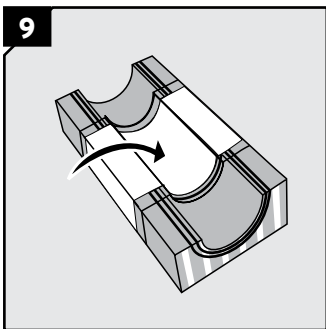
6 Fold the adhesive tape tightly inside the module half from one side along the inner layers.



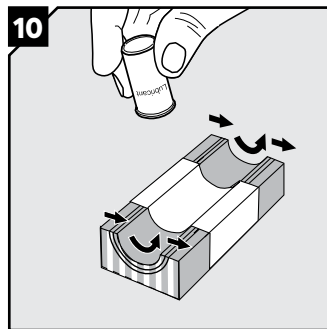
7 Lift the plastic film from the folded side.



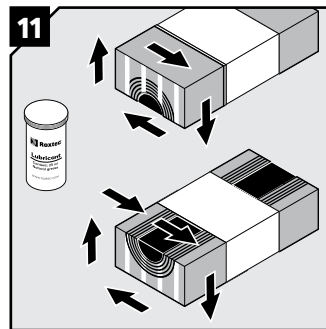
8 Fold the tape on the other side tightly inside the module half. Make sure there are no air-pockets.



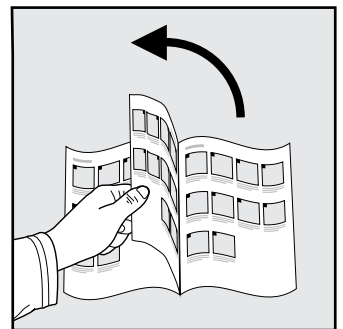
9 Fold the plastic film back inside the module half.



10 Lubricate all inside sealing surfaces of all modules sparsely with Roxtec Lubricant. Do not lubricate the plastic film.

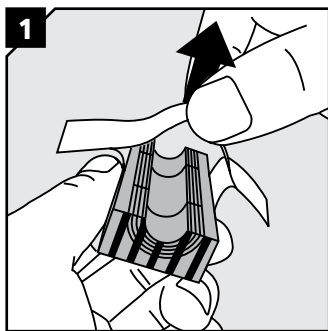


11 For spare modules, lubricate all inside sealing surfaces with Roxtec Lubricant. Do not lubricate the film.

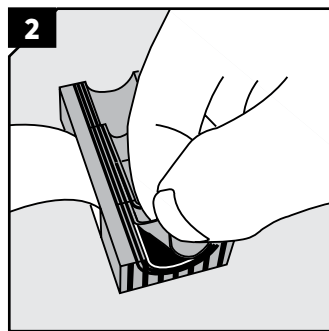


Continue the installation on page 7.

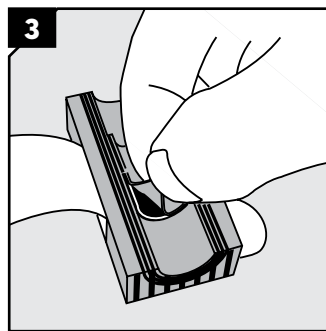
Installation of Roxtec RM PE modules



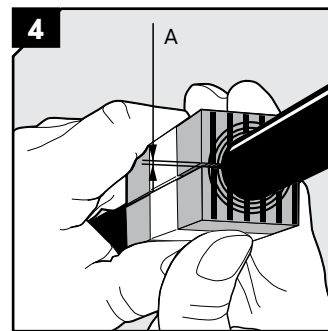
1 Remove the protection paper from the modules and fold back the tape.



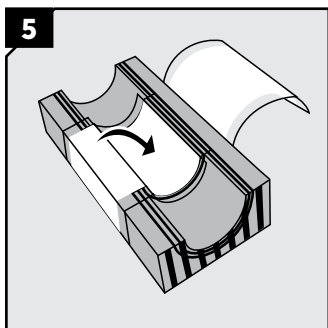
2 Adapt outer layers to cable jacket.



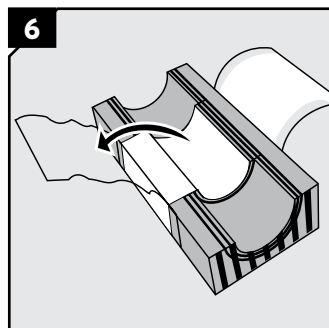
3 Adapt layers to fit cable screen.



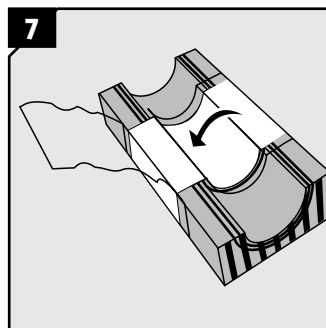
4 Test with a cable. Achieve a gap of 0.1-1.0 mm (A) between the module halves. If not, repeat step 2-3. The halves may not differ by more than one layer. Make sure the cable screen is in good contact with the module tape.



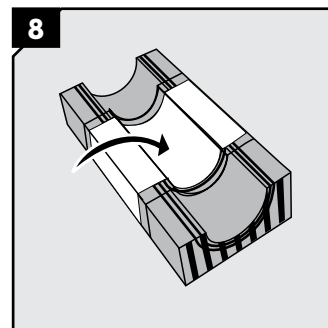
5 Fold the adhesive tape tightly inside the module half from one side along the inner layers.



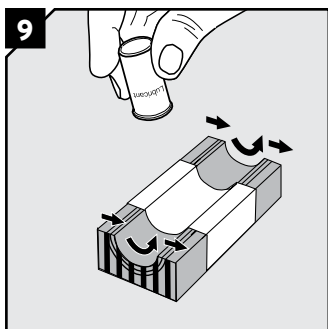
6 Lift the plastic film from the folded side.



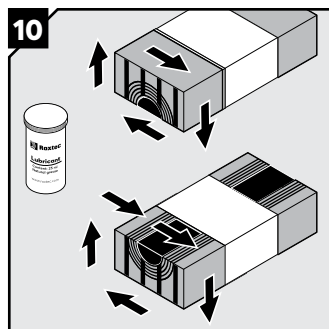
7 Fold the tape on the other side tightly inside the module half. Make sure there are no air-pockets.



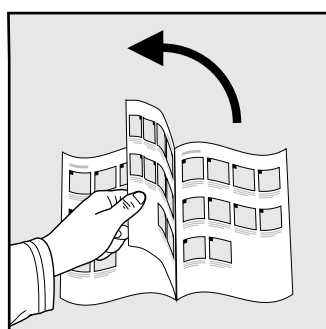
8 Fold the plastic film back inside the module half.



9 Lubricate all inside sealing surfaces of all modules sparsely with Roxtec Lubricant. Do not lubricate the film.

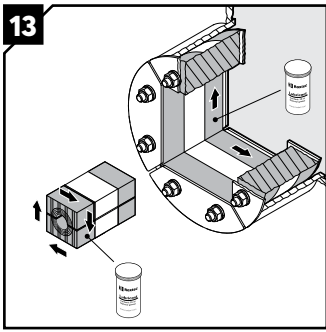


10 For spare modules, lubricate all inside sealing surfaces with Roxtec Lubricant. Do not lubricate the film.



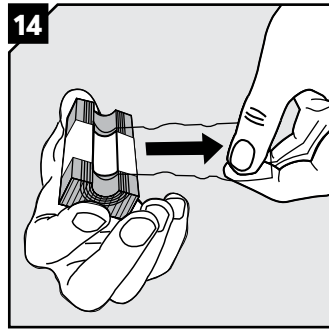
Continue the installation on page 7.

Installation continued

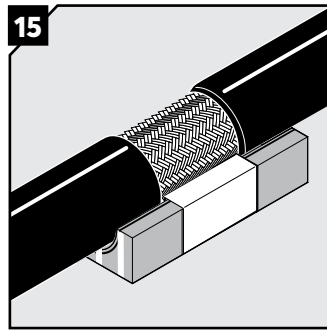


Frame: Lubricate the rubber area facing inwards sparsely. Especially the corners.

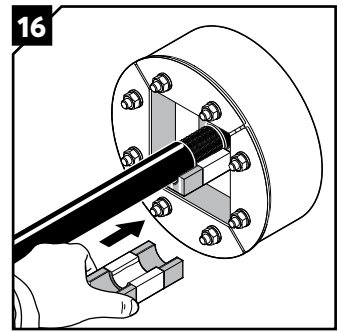
Module: Lubricate the outer sealing surfaces facing outwards sparsely. Do not lubricate the plastic film.



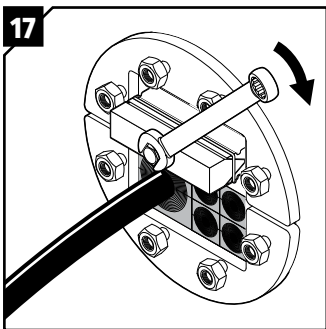
Remove the plastic film on all modules including the spare modules. Keep the tape clean.



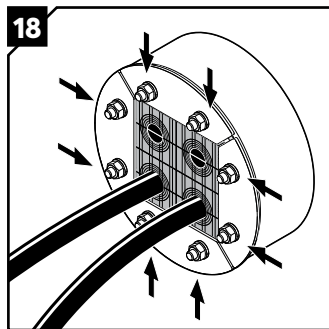
Correct placement of cable in EMC module.



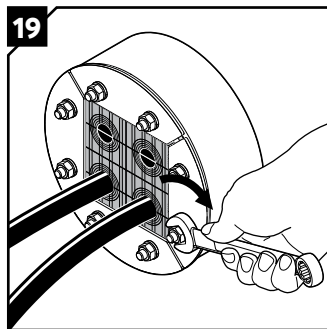
Insert the modules around the cables according to your packing plan.



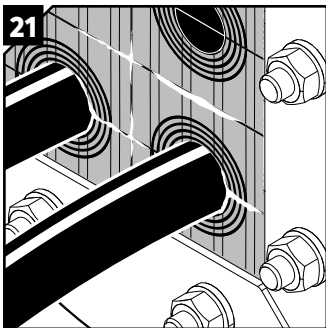
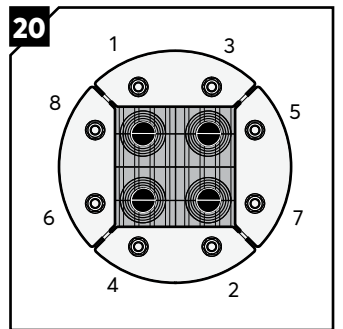
If needed, use the Roxtec pre-compression tool to make room for the final row of modules.



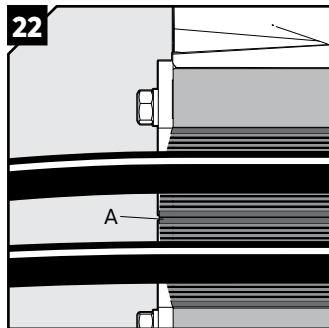
Push the front fittings towards the center of the frame.



Tighten the nuts crosswise in small steps to the specified torque.

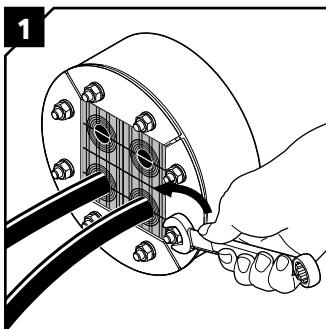


Excess lubricant is a sign of good compression.

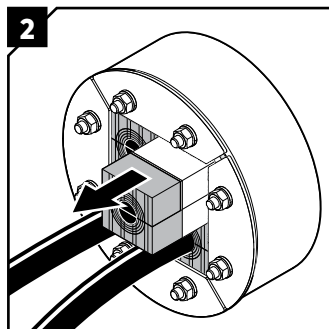


Protuding layers (A) are a sign of good compression.

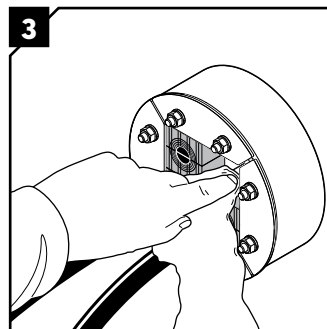
Disassembly



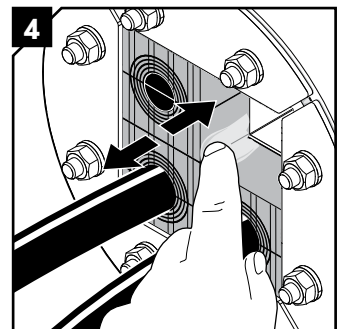
Untighten the nuts crosswise in small steps.



Remove the modules needed. Replace any damaged modules.



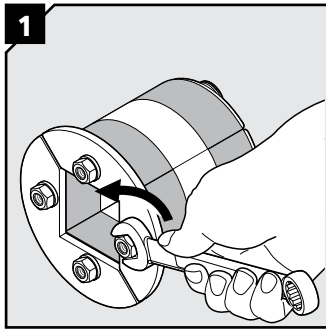
Make sure that the inside surfaces of the packing space are free from dirt or dust.



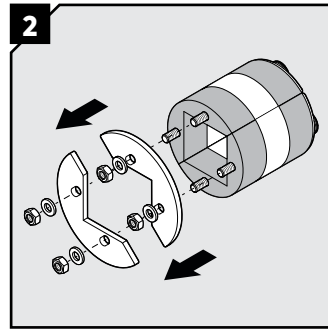
Lubricate the inside surfaces all around with Roxtec Lubricant, especially into the corners. Continue the reinstallation on page 4, step 11.

Roxtec R70-75 openable

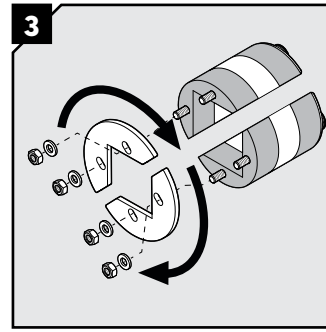
Means of converting a standard R70-75 EMC frame to an openable frame.



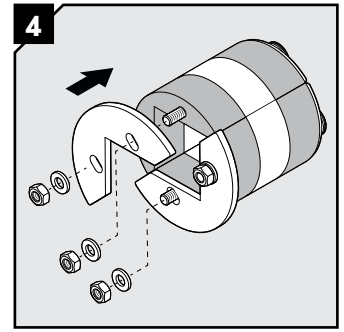
1 Untighten and remove all the nuts.



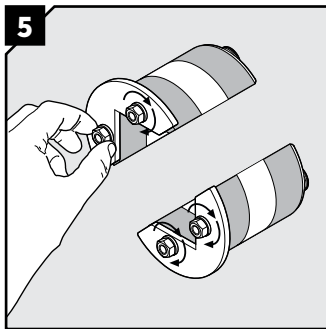
2 Remove the front fittings.



3 Turn the front fittings 90 degrees.



4 Reattach the front fittings to the frame.



5 Loosely tighten the nuts.

Note

- For optimum reliability, wait 24 hours or longer after installation before exposing the cables/pipes to strain or pressure.
- To be used with: RM ES or RM PE components.
- Cables/pipes shall go straight through the frame.
- Approvals or certificates may include amendments or limitations related to this application.
- The latest version of this and related documents are found at roxtec.com.

DISCLAIMER

"The Roxtec cable entry sealing system ("the Roxtec system") is a modular-based system of sealing products consisting of different components. Each and every one of the components is necessary for the best performance of the Roxtec system. The Roxtec system has been certified to resist a number of different hazards. Any such certification, and the ability of the Roxtec system to resist such hazards, is dependent on all components that are installed as a part of the Roxtec system. Thus, the certification is not valid and does not apply unless all components installed as part of the Roxtec system are manufactured by or under license from Roxtec ("authorized manufacturer"). Roxtec gives no performance guarantee with respect to the Roxtec system, unless (I) all components installed as part of the Roxtec system are manufactured by an authorized manufacturer and (II) the purchaser is in compliance with (a), and (b), below.
(a) During storage, the Roxtec system or part thereof, shall be kept indoors in its original packaging at room temperature.
(b) Installation shall be carried out in accordance with Roxtec installation instructions in effect from time to time.

The product information provided by Roxtec does not release the purchaser of the Roxtec system, or part thereof, from the obligation to independently determine the suitability of the products for the intended process, installation and/or use.

Roxtec gives no guarantee for the Roxtec system or any part thereof and assumes no liability for any loss or damage whatsoever, whether direct, indirect, consequential, loss of profit or otherwise, occurred or caused by the Roxtec systems or installations containing components not manufactured by an authorized manufacturer and/or occurred or caused by the use of the Roxtec system in a manner or for an application other than for which the Roxtec system was designed or intended.

Roxtec expressly excludes any implied warranties of merchantability and fitness for a particular purpose and all other express or implied representations and warranties provided by statute or common law. User determines suitability of the Roxtec system for intended use and assumes all risk and liability in connection therewith. In no event shall Roxtec be liable for indirect, consequential, punitive, special, exemplary or incidental damages or losses.*



Roxtec International AB, Box 540
371 23 Karlskrona, Sweden
+46 455 36 67 00, www.roxtec.com