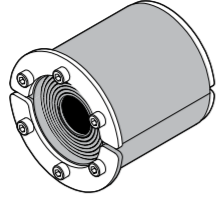
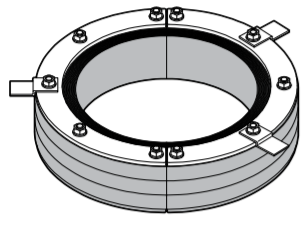


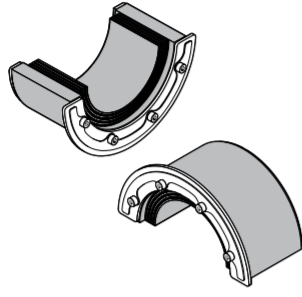
Installation instructions Roxtec RS seal



Components



Roxtec RS 225-644



Roxtec RS 25-200

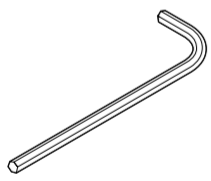


Roxtec Lubricant

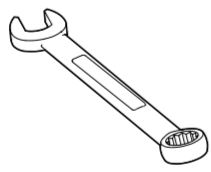
Technical data

Name	Aperture dimension Ø (mm)	For cable/pipe Ø (mm)	Torque (Nm)	Tool size (mm)
RS 25	25 – 26	3.6 – 12	~ 1	2.5
RS 31	31 – 32	4 – 17	~ 1	2.5
RS 43	43 – 45	4 – 23	~ 4	4
RS 50	50 – 52	8 – 30	~ 4	4
RS 68	68 – 70	26 – 48	~ 4	4
RS 75	75 – 77	24 – 54	~ 4	4
RS 100	100 – 102	48 – 70	~ 4	4
RS 125	125 – 127	66 – 98	~ 7	5
RS 150	150 – 152	93 – 119	~ 7	5
RS 175	175 – 177	119 – 145	~ 7	5
RS 200	200 – 203	138 – 170	~ 7	5
RS 225	225 – 228	151 – 181	~ 17	10
RS 250	250 – 253	176 – 206	~ 17	10
RS 300	300 – 303	206 – 236	~ 17	13
RS 350	350 – 353	244 – 286	~ 17	13
RS 400	400 – 403	294 – 336	~ 17	13
RS 450	450 – 453	344 – 386	~ 35	17
RS 500	500 – 503	394 – 436	~ 35	17
RS 550	550 – 553	444 – 486	~ 35	17
RS 600	600 – 603	494 – 536	~ 35	17
RS 644	644 – 647	538 – 580	~ 35	17

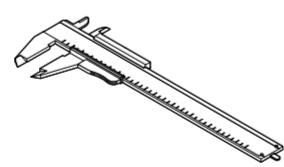
Tools



Allen key RS 25-200

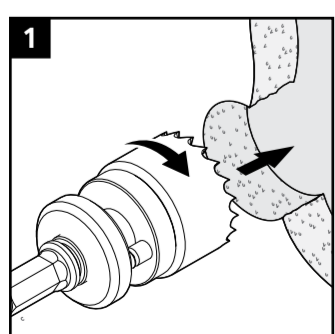


Spanner RS 225-644 (not included)



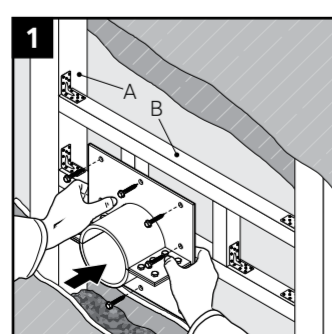
Caliper (not included)

Installation in a core drilled hole



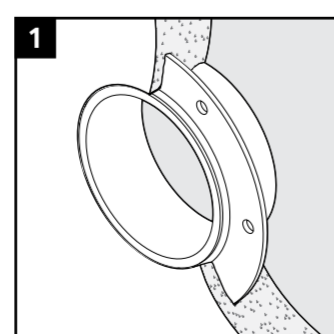
Use a hole saw with the appropriate diameter.

Installation in a gypsum structure



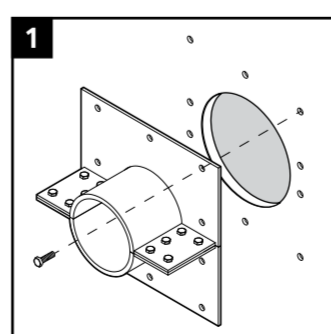
Add additional aperture framing structure of steel or timber (B) to the existing structure (A) inside the wall.

Casting a sleeve into a concrete wall



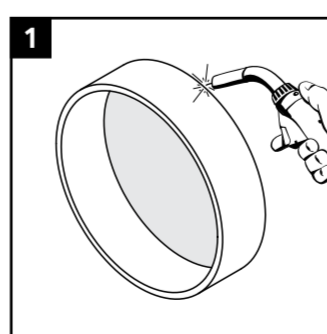
Cast the sleeve into a concrete wall.

Installation of bolted sleeve



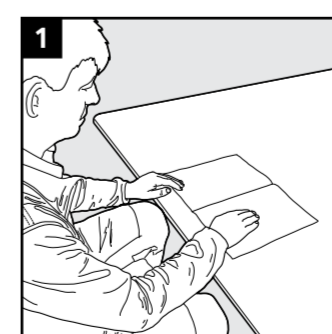
Attach the sleeve to the structure using suitable sealing method and suitable fasteners.

Installation in a welded sleeve



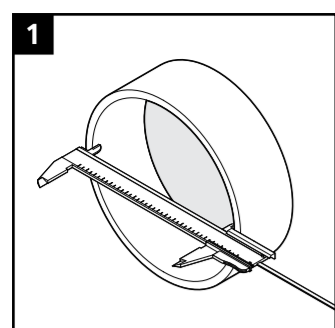
Weld the Roxtec sleeve to the structure.

Roxtec guideline documents

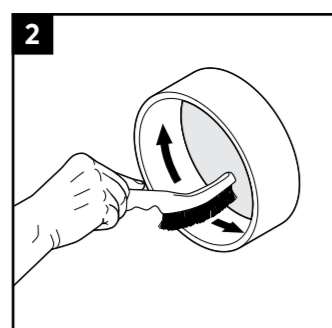


For further information, Roxtec guideline documents are available at roxtec.com.

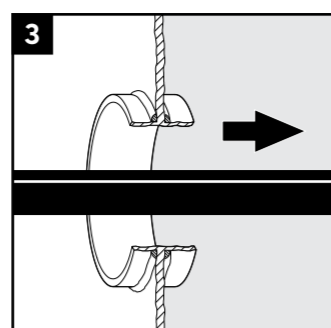
Installation



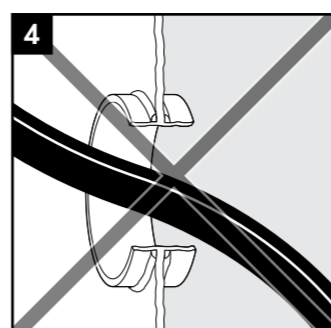
Make or verify an aperture.



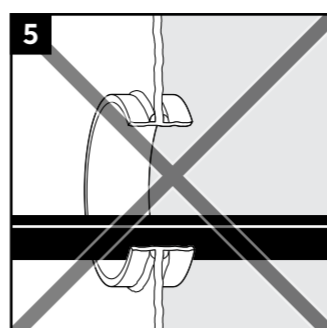
Clean the aperture.



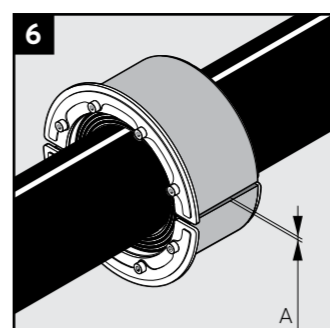
Pull the cable/pipe straight and centered through the aperture.



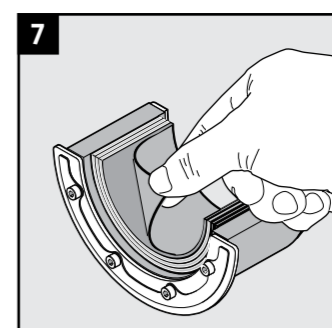
Not acceptable.



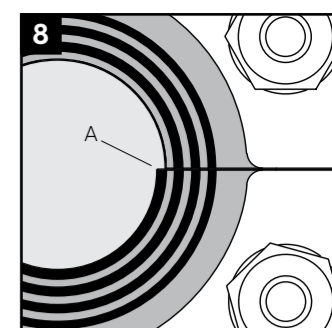
Not acceptable.



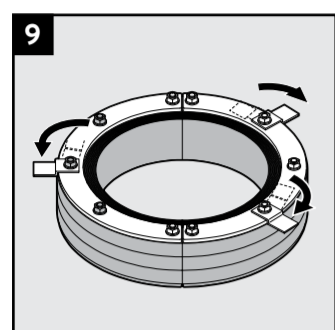
Achieve a 0-10 mm gap (A) between the two halves when held against the cable/pipe.



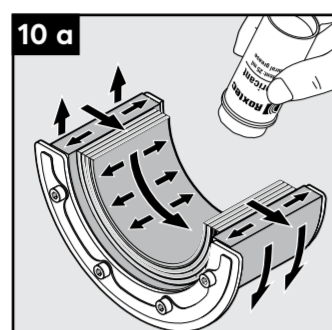
Adapt the seal by peeling off layers.



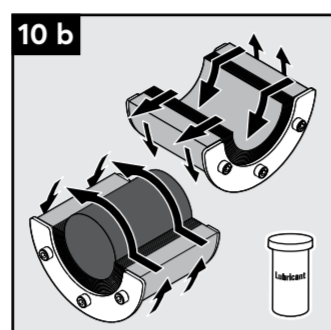
The number of layers may not differ (A) by more than one between the corresponding seal halves.



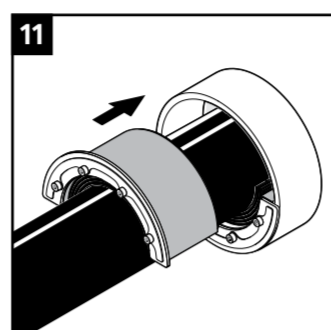
Fold out the tabs if any (RS 225-644).



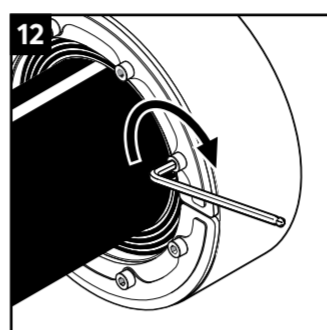
Lubricate the inside and the outside sealing surfaces with Roxtec Lubricant.



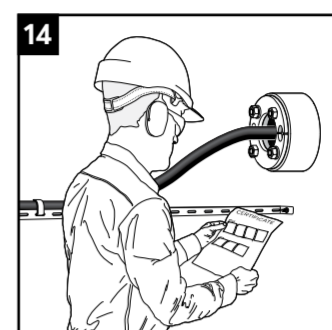
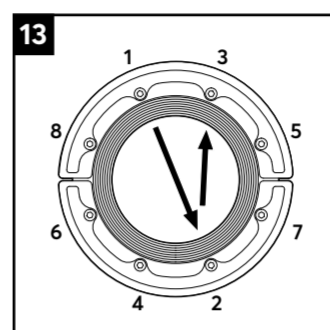
Lubricate the sealing surfaces of any spare seal. Do not remove the core.



Insert the halves into the sleeve.

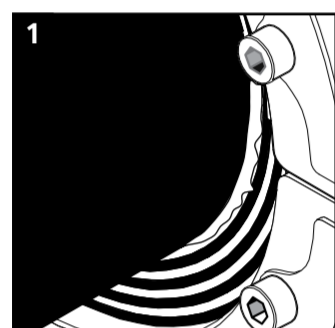


Tighten the bolts crosswise in small steps to firm compression.

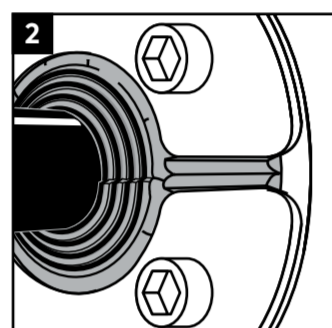


Make a final check! Different approvals or certificates may include amendments or limitations related to this application.

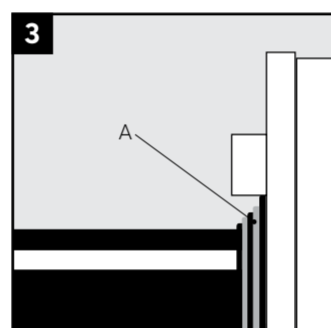
Check compression



Excess lubricant is visible after compression.

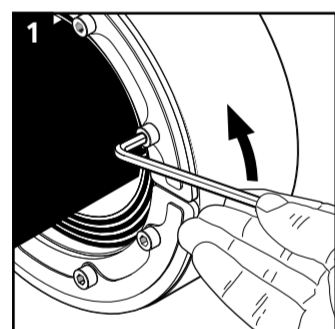


The rubber bulges between the fittings.

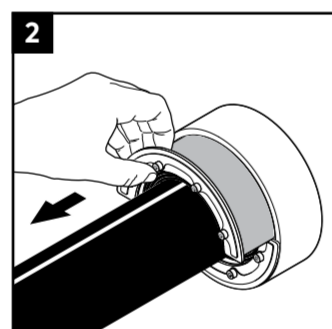


Rubber layers (A) bulge outwards.

Disassembly

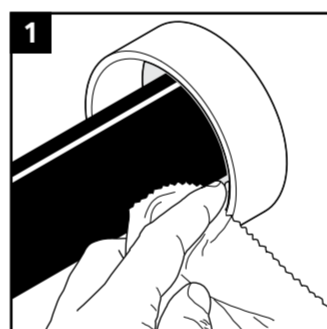


Untighten the screws crosswise in small steps.

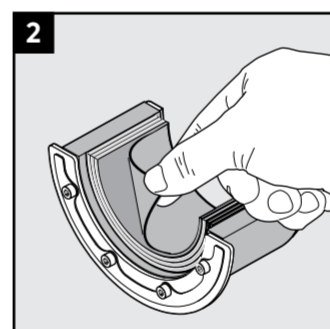


Remove the seal.

Reinstallation



Clean the exposed sealing surfaces.



Continue the reinstallation.

Note

- For optimum reliability, wait 24 hours or longer after installation before exposing the cables/pipes to strain or pressure.
- Cables/pipes shall be parallel to the sleeve/aperture.
- Cable/pipe with a considerable weight needs to be supported to prevent damage or subsidence to the seal.
- Approvals or certificates may include amendments or limitations related to this application.
- A seal with core is spare capacity.
- The latest version of this and related documents are found at roxtec.com.

Disclaimer

The Roxtec cable entry sealing system ("the Roxtec system") is a modularized system of sealing products consisting of different components. Each and every one of the components is necessary for the best performance of the Roxtec system. The Roxtec system has been certified to resist a number of different hazards. Any such certification, and the ability of the Roxtec system to resist such hazards, is dependent on all components that are installed as a part of the Roxtec system. Thus, the certification is not valid and does not apply unless all components installed as part of the Roxtec system are manufactured by or under license from Roxtec ("authorized manufacturer"). Roxtec gives no performance guarantee with respect to the Roxtec system, unless (i) all components installed as part of the Roxtec system are manufactured by an authorized manufacturer and (ii) the purchaser is in compliance with (a) and (b) below.

(a) During storage, the Roxtec system or part thereof, shall be kept indoors in its original packaging at room temperature.

(b) Installation shall be carried out in accordance with Roxtec installation instructions in effect from time to time.

The product information provided by Roxtec does not release the purchaser of the Roxtec system, or part thereof, from the obligation to independently determine the suitability of the products for the intended process, installation and/or use.

Roxtec gives no guarantee for the Roxtec system or any part thereof and assumes no liability for any loss or damage whatsoever, whether direct, indirect, consequential, loss of profit or otherwise, occurred or caused by the Roxtec systems or installations containing components not manufactured by an authorized manufacturer and/or occurred or caused by the use of the Roxtec system in a manner or for an application other than for which the Roxtec system was designed or intended.

Roxtec expressly excludes any implied warranties of merchantability and fitness for a particular purpose and all other express or implied representations and warranties provided by statute or common law. User determines suitability of the Roxtec system for intended use and assumes all risk and liability in connection therewith. In no event shall Roxtec be liable for indirect, consequential, punitive, special, exemplary or incidental damages or losses.



Roxtec International AB
Box 540, 371 23 Karlskrona, SWEDEN
+46 455 36 67 00, info@roxtec.com
www.roxtec.com