

The safety you rely on.



Powering Business Worldwide



We make what matters work.*



At Eaton, we believe that power is a fundamental part of just about everything people do. That's why we're dedicated to helping our customers find new ways to manage electrical, hydraulic and mechanical power more efficiently, safely and sustainably. To improve people's lives, the communities where we live and work, and the planet our future generations depend upon. Because this is what really matters. And we're here to make sure it works.

To learn more go to: [Eaton.com/whatmatters](https://www.eaton.com/whatmatters)

EATON

Powering Business Worldwide

We make what matters work.

Glossary - application types	1.4
Glossary - principal characteristics	1.5
International certifications	1.6
Contents - hazardous area cable glands	2.1
Selection guide for cable glands for hazardous areas	2.2
Contents - Hazardous area accessories	3.1
Overview - certified accessories for hazardous areas	3.2
Contents - industrial cable glands and accessories	4.1
Selection guide for cable glands for non-hazardous areas	4.2
Contents - technical guide	5.1

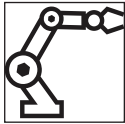
Glossary

Applications type

Quickly identify the main applications for the different products, by checking the icons at the top of each page.



General industry (no hazardous area / Ex risks)



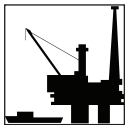
Original equipment manufacturer (OEM)



Marine



Mining



Oil and gas (explosion risk zones)

Principal characteristics

With the icons shown below the products on each page, quickly identify their essential characteristics.



IP54

Ingress protection (IP) according to EN 60529

Indicates the level of protection against the ingress of solid bodies and liquids into equipment. For more information, see page 5.10



option
316L

Stainless steel 316L or 304L option

Indicates that the product is available in stainless steel 316L or 304L.

**Explosive atmospheres**

Official logo indicating that a product is certified for use in potentially explosive areas in Europe. For more information, see page 5.5

**IECEX certification**

Indicates that the product conforms to IEC international certification standards.

**CE marking**

Official logo that indicates that the product conforms to European standards and is permitted to be sold in the EU marketplace.



1G

Equipment category (gas)

Indicates the classification of equipment according to the directive 2014/34/UE. Equipment with category 2G may be used in Zone 1. For more information, see page 5.6



2D

Equipment category (dust)

Indicates the classification of equipment according to the directive 2014/34/UE. Equipment with category 2D may be used in Zone 21. For more information, see page 5.7



EMC

Electromagnetic compatibility

Indicates the ability of the product to function satisfactorily within its environment without producing any electromagnetic disturbances affecting other equipment.

International certifications



ATEX



IECEX



cULus / cULus Marine
-for details, please ask your vendor



CSA



Inmetro



Europe



Global



North America



Canada



Brazil

	Europe	Global	North America	Canada	Brazil
Hazardous area cable glands					
ADE-1F2	●	●	●	●	●
ADE-1F2 DS	●	●	●	●	●
ADE-1F2 A	●	●	●	●	●
ADE-1F2 O-ring	●	●	●	●	●
1F2 ADCC conduit gland	●	●	●	●	●
1F2 ADCS conduit gland	●	●	●	●	●
ADE-1FC	●	●	●	●	●
ADE-4F	●	●	●	●	●
ADE-5F	●	●	●	●	●
ADE-6F	●	●	●	●	●
ADE-6FC	●	●	●	●	●
NEWCAP MS-e	●	●			
NEWCAP CT-e	●	●			
CEAG GHG Ex e black	●	●			
CEAG GHG Ex e blue	●	●			
Trumpet Ex e	●	●			
North American cable glands					
Terminator™ II TMCX			●		
TMCX			●	●	
TMC			●	●	
TECK				●	
Hazardous area accessories					
Adaptors and reducers	●	●		●	●
Male-male/female-female adaptors	●	●			●
Insulating adaptors	●	●			
Right angle (90°) adaptors	●	●			●
Swivel adaptors	●	●			
'Y' and 'T' adaptors	●	●			
Earth lead adaptors	●	●			
Threaded earth plates	●				
Type CQ dome head stopping plug	●	●		●	●
Type CY hex head stopping plug	●	●			●
Breather drains Ex e	●	●		●	
Breather drains Ex d / Ex e	●	●			
Unions	●			●	

International certifications



CCOE



Lloyd's Register



Nepsi

Korea Certification

Chief Controller of Explosives

Customs Union Certificate (EX) Customs Union Certificate

Bureau Veritas

Det Norske Veritas

Lloyd's Register

American Bureau of Shipping



China

South Korea

India

Russia / Belarus / Kazakhstan

Global

Global

Global

United States












●	●	●	●		●	●	●	●
●	●	●	●		●	●	●	●
●	●	●	●		●	●	●	●
●	●	●	●		●	●	●	●
●	●	●	●		●	●	●	●
●	●	●	●		●	●	●	●
●	●	●	●		●	●	●	●
●	●	●	●		●	●	●	●
●	●	●	●		●	●	●	●
●	●	●	●		●	●	●	●
●	●	●	●		●	●	●	●
					●			
					●			
●			●					
			●					
			●					
●			●					
●			●					
			●					
			●					







Contents - hazardous area cable glands





Selection guide for cable glands for hazardous areas	2.2
Capri ADE cable glands - specification features.....	2.4
Ex flameproof cable glands for non-armoured cable:	
ADE-1F2.....	2.6
ADE-1F2 DS (double seal).....	2.8
ADE-1F2 A (integrated clamping).....	2.10
ADE-1F2 O-ring (integrated O-ring).....	2.12
Ex flameproof cable glands for non-armoured cables in conduit:	
1F2 ADCC for flexible and rigid conduit.....	2.14
1F2 ADCS for rigid conduit	2.16
Ex flameproof cable glands with compound for non-armoured cable:	
ADE-1FC.....	2.18
Ex flameproof cable glands for armoured cable:	
ADE-4F	2.20
ADE-5F (inspectable armour).....	2.22
ADE-6F (inspectable armour + cold flow protection)	2.24
Ex flameproof cable glands with compound for armoured cable:	
ADE-6FC.....	2.26
ADE cable gland kits	2.28
ADE Accessories	2.29
Ex increased safety cable glands for non-armoured cable or braided cable:	
NEWCAP MS-e.....	2.32
NEWCAP CT-e.....	2.33
Ex increased safety cable glands for non-armoured cable:	
CEAG GHG Ex e black	2.34
CEAG GHG Ex e blue.....	2.35
Trumpet Ex e	2.36
North American certified cable glands:	
Terminator™ II TMCX	2.38
Accessories for Terminator™ II TMCX	2.40
TMCX	2.41
TMC.....	2.42
TECK	2.43

Selection guide for cable glands for hazardous areas

Non-armoured cable glands	Cable type	Material options	Key points	
ADE-1F2 cable gland page 2.6		<ul style="list-style-type: none"> • Non-armoured • Marine shipboard cable • Tray cable • Type P 	<ul style="list-style-type: none"> • Nickel-plated brass • Option: Stainless steel Aluminum Bronze 	<ul style="list-style-type: none"> • Ex d / Ex e • UL / cULus • IP66 / IP68 • -60°C to +140°C • Metric / NPT
ADE-1F2 DS cable gland page 2.8		<ul style="list-style-type: none"> • Non-armoured • Marine shipboard cable • Tray cable • Type P 	<ul style="list-style-type: none"> • Nickel-plated brass • Option: Stainless steel Aluminum Bronze 	<ul style="list-style-type: none"> • Ex d / Ex e • UL / cULus • IP66 / IP68 • -60°C to +140°C • Metric / NPT
ADE-1F2 A Clamping cable gland page 2.10		<ul style="list-style-type: none"> • Non-armoured • Marine shipboard cable • Tray cable • Type P 	<ul style="list-style-type: none"> • Nickel-plated brass • Option: Stainless steel Aluminum Bronze 	<ul style="list-style-type: none"> • Ex d / Ex e • UL / cULus • IP66 / IP68 • -60°C to +140°C • Metric / NPT • Integrated clamp
ADE-1F2 O-Ring cable gland page 2.12		<ul style="list-style-type: none"> • Non-armoured • Marine shipboard cable • Tray cable • Type P 	<ul style="list-style-type: none"> • Nickel-plated brass • Option: Stainless steel 	<ul style="list-style-type: none"> • Ex d / Ex e • UL / cULus • IP66 / IP68 • -60°C to +140°C • Metric • Integrated O-ring
1F2 ADCC conduit gland page 2.14		<ul style="list-style-type: none"> • Non-armoured cable in flexible conduit • Non-armoured cable in rigid conduit 	<ul style="list-style-type: none"> • Nickel-plated brass • Option: Stainless steel 	<ul style="list-style-type: none"> • Ex d / Ex e • IP66 / IP68 • -60°C to +140°C • Metric / NPT / BSPP
1F2 ADCS conduit gland page 2.16		<ul style="list-style-type: none"> • Non-armoured cable in rigid conduit 	<ul style="list-style-type: none"> • Nickel-plated brass • Option: Stainless steel 	<ul style="list-style-type: none"> • Ex d / Ex e • IP66 / IP68 • -60°C to +140°C • Metric / NPT / BSPP • Swivel function
ADE-1FC cable gland page 2.18		<ul style="list-style-type: none"> • Non-armoured • Marine shipboard cable • Tray cable • Type P 	<ul style="list-style-type: none"> • Nickel-plated brass • Option: Stainless steel Bronze 	<ul style="list-style-type: none"> • Ex d / Ex e • UL / cULus • IP66 / IP68 • -60°C to +80°C • Metric / NPT • Deluge seal
NEWCAP MS-e page 2.32		<ul style="list-style-type: none"> • Non-armoured • Braided cable 	<ul style="list-style-type: none"> • Nickel-plated brass • Option: Stainless steel 	<ul style="list-style-type: none"> • Ex e • IP66 / IP68 • -20°C to +80°C
NEWCAP CT-e page 2.33		<ul style="list-style-type: none"> • Non-armoured • Braided cable For EMC specific cable and application 	<ul style="list-style-type: none"> • Nickel-plated brass • Option: Stainless steel 	<ul style="list-style-type: none"> • Ex e • IP66 / IP68 • -20°C to +80°C
CEAG GHG Ex e Blue / Black page 2.34/2.35		<ul style="list-style-type: none"> • Non-armoured 	<ul style="list-style-type: none"> • Nylon 	<ul style="list-style-type: none"> • Ex e • -20°C to +70°C • Integrated sealing lip
TRUMPET page 2.36		<ul style="list-style-type: none"> • Non-armoured 	<ul style="list-style-type: none"> • Nylon 	<ul style="list-style-type: none"> • Ex e • -40°C to +85°C

Selection guide for cable glands for hazardous areas

Armoured cable glands	Cable type	Material options	Key points
ADE-4F page 2.20		<ul style="list-style-type: none"> SWA / SWB / STA Braided marine shipboard Lead sheathed (with washer) Type P 	<ul style="list-style-type: none"> Nickel-plated brass Option: Stainless steel, Aluminum, Bronze <ul style="list-style-type: none"> Ex d / Ex e UL / cULus IP66 / IP68 -60°C to +140°C Metric / NPT
ADE-5F page 2.22		<ul style="list-style-type: none"> SWA / SWB / STA Braided marine shipboard Lead sheathed (with washer) Type P 	<ul style="list-style-type: none"> Nickel-plated brass Option: Stainless steel, Aluminum, Bronze <ul style="list-style-type: none"> Ex d / Ex e UL / cULus IP66 / IP68 -60°C to +140°C Metric / NPT Deluge seal option
ADE-6F page 2.24		<ul style="list-style-type: none"> SWA / SWB / STA Braided marine shipboard Type P 	<ul style="list-style-type: none"> Nickel-plated brass Option: Stainless steel, Aluminum, Bronze <ul style="list-style-type: none"> Ex d / Ex e UL / cULus IP66 / IP68 -60°C to +80°C Metric / NPT Deluge seal
ADE-6FC page 2.26		<ul style="list-style-type: none"> SWA / SWB / STA Braided marine shipboard Type P Tray cable 	<ul style="list-style-type: none"> Nickel-plated brass Option: Stainless steel, Bronze <ul style="list-style-type: none"> Ex d / Ex e UL / cULus IP66 / IP68 -60°C to +80°C Metric / NPT Deluge seal

North American cable glands	Cable type	Material options	Key points
TMCX II Armoured barrier gland page 2.38		<ul style="list-style-type: none"> Aluminum Option: Nickel-plated brass, Stainless steel 	<ul style="list-style-type: none"> cULus NEMA 6P / 4X -40°C to +60°C NPT / Metric Cold Shrink™ kit available
TMCX Armoured barrier gland page 2.41		<ul style="list-style-type: none"> Aluminum Option: Nickel-plated brass 	<ul style="list-style-type: none"> UL / CSA NEMA 4 / IP56 -25°C to +60°C NPT Cold Shrink™ kit available
TMC armoured gland page 2.42		<ul style="list-style-type: none"> Aluminum 	<ul style="list-style-type: none"> UL / CSA NEMA 4 / IP56 -25°C to +60°C NPT
TECK armoured gland page 2.43		<ul style="list-style-type: none"> Aluminum Option: Steel, Stainless steel, PVC coated aluminium 	<ul style="list-style-type: none"> CSA IP56 -25°C to +60°C NPT Cold Shrink™ kit available

Capri ADE cable glands - specification features

Material specification

Metallic components

The Capri ADE range of cable glands are available in four different material types:

- Nickel-plated brass
- 316L stainless steel
- Aluminum
- Bronze

Nickel-plated brass

Nickel-plated brass is used extensively throughout the oil and gas and petrochemical industries because it provides superior protection against corrosion and contamination under severe conditions and in the most extreme environments over equivalent natural brass products.

All nickel-plated brass components, both external and internal, are designed specifically to allow for a nickel-plated coating between 5 to 7 microns that ensures the critical tolerances can be maintained. The design tolerance of the components and the quality control of the plating process ensure a uniform coating which protects against the possibility of chipping, flaking, and peeling under extreme conditions.

Seal material

The seal material of the ADE range has been carefully formulated to achieve the optimized performance across a wide range of operating temperature conditions.

- Silicone - for extended temperature performance



Operating temperature range

The ADE models are suitable for the following operating temperatures:

Silicone seals -60°C to +140°C

Barrier compound -60°C to +80°C

Refer to individual product data sheets for specifications.



Cable clamping technology

Fig. 1 - External cable clamping

All ADE models are designed to accommodate an external clamping module which provides additional mechanical strength for strain relief.

Fig. 2 - Outer sheath cable sealing

All ADE models utilize a gland specific seal design (Fig.8), which, combined with the material formulation, ensures suitable sealing and ingress protection on the outer cable sheath.

Fig. 3 and 4 - Inner sheath cable sealing

The ADE-4F and ADE-5F utilize the same proven seal design as for the outer sheath (Fig.8), while the ADE-6F utilizes a diaphragm design seal to achieve the desired flame-path protection.

Fig. 5 and 6 - Universal clamping - armoured cable

The ADE-4F, ADE-5F and ADE-6F models all offer universal designs for all types of armoured cable. These include:

- Steel wire armoured (SWA) cable
- Steel tape armoured (STA) cable
- Steel wire braided (SWB) cable
- Braided marine shipboard cable
- Lead sheath armoured cable
- Type P cable

All designs achieve clamping and earth bonding of the armour for all armour types with no reversible components.

Fig. 7 - Lead sheath armour cable

The ADE-4F and ADE-5F ranges are suitable for lead sheath armoured cable with the addition of a simple washer.

Fig. 8 - Specially formulated elastomer seal

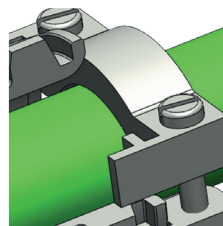


Fig.1

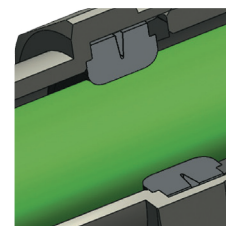


Fig.2

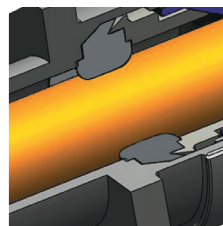


Fig.3

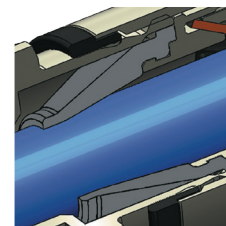


Fig.4

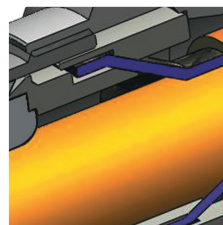


Fig.5

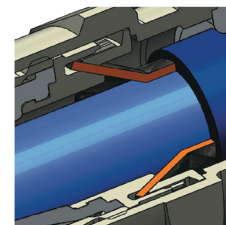


Fig.6



Fig.7



Fig.8

Ingress protection (IP)

IP rating

All ADE models incorporate an elastomeric dust cap to prevent dust and solid ingress prior to installation. Ingress protection is achieved by the following:

Metric threads: fitted on equipment with a flat surface, on threaded hole, or on blank hole ("d" use excluded) fixed by a qualified locknut with all threads engaged:

- IP64, IP66 without sealing washer and surface finish of Ra 0.4µm or on threaded hole and surface finish of Ra 1.6µm max.
- IP64, IP66 with all sealing washers (red fibre, green fibre, on or PTFE) on surface Ra 6.3µm max.
- IP68 tested 30m/7days with red fibre or green fibre sealing washers

NPT threads: IP64, 66 and IP68 tested 30m/7days; HTL lubricant may be needed. For details, please refer to cable glands installation guide page 5.12.

Deluge protection

All ADE models comply and are compliant with DTS-01 deluge certification.

The ADE-6F incorporates an additional deluge boot seal for enhanced deluge protection in marine / offshore environments.

An optional deluge seal is also available for larger sizes of the ADE-5F.

ADE-1F2 - for non-armoured cable

Hazardous area cable glands



Suitable for the following cable types:

- Non-armoured cable
- Marine shipboard cable; Type P cable
- Tray cable: TC

Provides 25% of cable clamping. As per IEC60079 § A.2.3.2 for group II or III cable glands, "without a clamping device, additional clamping of the cable is needed to ensure that pulling & twisting is not transmitted to the terminations". We recommend using the certified ADE clamping module (page 2.29).

Certifications and compliances

• ATEX No. INERIS 12ATEX0032X

Zones 1 and 2, Groups IIA, IIB and IIC
 Zones 21 and 22, Groups IIIA, IIIB and IIIC
 ⚡ II2GD / Ex db IIC / Ex eb IIC / Ex tb IIIC
 ⚡ II3G Ex nRc IIC

• IECEx No. IECEx INE 12.0025X

Zones 1 and 2, Groups IIA, IIB and IIC
 Zones 21 and 22, Groups IIIA, IIIB and IIIC
 Ex db IIC / Ex eb IIC / Ex nRc IIC / Ex tb IIIC

• UL: 3DJN E310130 Class I Zone 1*, AEx e II

UL LISTED ADE size 3 to 8, NPT 1/2" to 1 1/4" or ISO 20 to 40 with non-armoured cable TC-ER-HL up to 1" diameter

• UL: 3DJN E310130 Class I Zone 2*, AEx e II, Ex e II

UL LISTED ADE size 3 to 17, NPT 1/2" to 4" or ISO 20 to 110 with non-armoured cable ITC, MV, PLTC, TC-ER, TC-ER-HL, TC

• UL: 3LRC E314047 Class I Zone 2*, AEx e II, Ex e II

UL LISTED ADE size 3 to 17, NPT 1/2" to 4" or ISO 20 to 110 with non-armoured marine cable

* Can be used in Div.2 provided that the enclosure contains no components that produce arcs or sparks.



Other certificates:

CEPEL: 05.0558X
CCoE: P360379-1
KOSHA: 2015-BO-0249 to 0256
NANIO: TC-RU C-FR.ГБ05.B.00858
NEPSI: GYJ13.1082X
SABS: MS/15-0314X

Shipping applications:

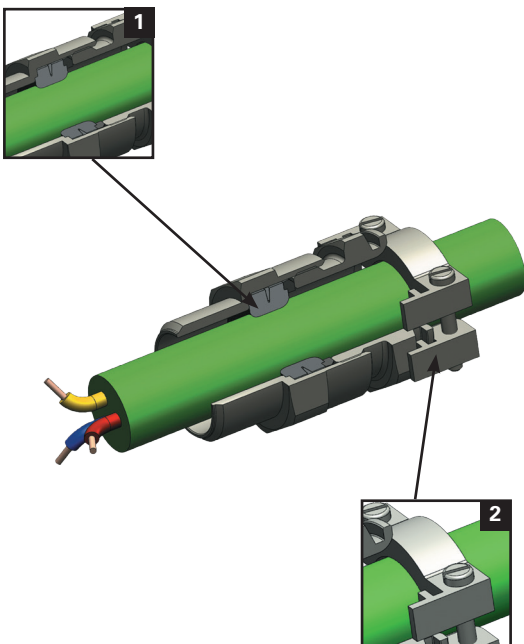
ABS: 14-HS1274083-PDA
BV: 40910/A0 BV
DNV: TAE000010X
Lloyds: 11/00072
DTS-01:1991

Technical specification

- Nickel-plated brass for superior corrosion resistance. 316L stainless steel, bronze and aluminium options available. It is recommended that a suitable lubricant is used on all threads of stainless steel and aluminium versions.
- Temperature range: -60 °C to +140 °C
- IP66 / IP68 according to the method of attachment and the condition of the equipment area, see page 2.5

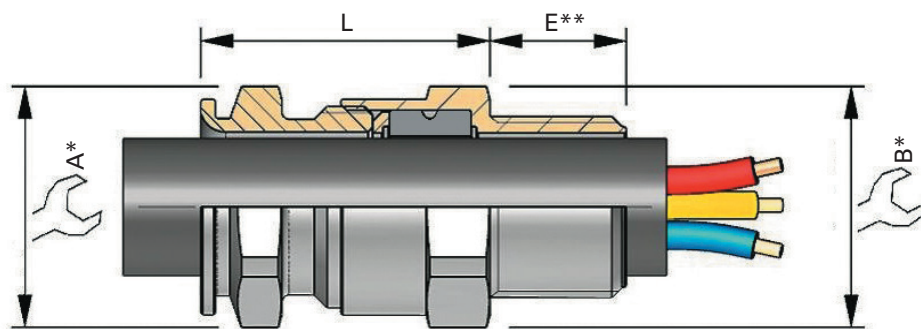
Features and benefits

- 1: Specifically formulated elastomer for IP sealing on outer sheath of cable
- 2: Additional external cable clamping for strain relief (optional).



ADE-1F2 - for non-armoured cable

Hazardous area cable glands



* For 'across corners' dimensions, multiply 'across flats' dimensions by 1.1

** For 'E' see thread dimension page 5.18

SERIES	THREAD SIZE	CABLE SEALING RANGE	MATERIAL	OPTION
ADE1	M25	3	NPN	

0 = XS
1 = S
2 = M
3 = L

CODES	
K1	Accessories kit 1
K2	Accessories kit 2
K3	Accessories kit 3
BLANK	No option

NPN	Nickel-plated brass
SSN	Stainless steel
BZN	Bronze
ALN	Aluminium (not Group I)

KIT OPTIONS	
K1	Kit 1 contents: • Locknut • Green composite washer
K2	Kit 2 contents: • Locknut • Green composite washer • Earth tag • Shroud
K3	Kit 3 contents: • Locknut • Green composite washer • Earth tag • Serrated washer

Ordering codes

SERIES	THREAD SIZE (ISO)	THREAD SIZE CODE (ISO)	THREAD SIZE (NPT)	THREAD SIZE CODE (NPT)	CABLE SEALING RANGE	CABLE SEALING RANGE ISO (NPT)			ADE GLAND SIZE	CATALOG NUMBER (ISO)	CATALOG NUMBER (NPT)	
						OUTER SHEATH MIN - MAX	A	B				L
ADE1	12*	M12	1/4**	N025	3	4.5 - 8.0	17	17	25.0	4	ADE1M123NPN	ADE1N0253NPN
ADE1	16*	M16	3/8**	N038	2	4.5 - 8.5	17	19	25.0	4	ADE1M162NPN	ADE1N0382NPN
ADE1	16*	M16	3/8**	N038	3	7.0 - 12.0	19	19	27.5	5	ADE1M163NPN	ADE1N0383NPN
ADE1	20	M20	1/2"	N050	0	2.8 - 5.5	15	24	24.0	3	ADE1M200NPN	ADE1N0500NPN
ADE1	20	M20	1/2"	N050	1	4.5 - 8.5	17	24	25.0	4	ADE1M201NPN	ADE1N0501NPN
ADE1	20	M20	1/2"	N050	2	7.0 - 12.0	19	24	27.5	5	ADE1M202NPN	ADE1N0502NPN
ADE1	20	M20	1/2"	N050	3	10.0 - 16.0 (15.5)	24	24	32.0	6	ADE1M203NPN	ADE1N0503NPN
ADE1	25	M25	3/4"	N075	1	7.0 - 12.0	19	30	27.5	5	ADE1M251NPN	ADE1N0751NPN
ADE1	25	M25	3/4"	N075	2	10.0 - 16.0	24	30	32.0	6	ADE1M252NPN	ADE1N0752NPN
ADE1	25	M25	3/4"	N075	3	13.5 - 20.5	30	30	36.5	7	ADE1M253NPN	ADE1N0753NPN
ADE1	32	M32	1"	N100	2	13.5 - 21.0	30	36	36.5	7	ADE1M322NPN	ADE1N1002NPN
ADE1	32	M32	1"	N100	3	18.0 - 27.5 (26.0)	41	41	46.0	8	ADE1M323NPN	ADE1N1003NPN
ADE1	40	M40	1 1/4"	N125	2	18.0 - 27.5 (26.0)	48	48	50.0	8	ADE1M402NPN	ADE1N1252NPN
ADE1	40	M40	1 1/4"	N125	3	23.0 - 34.0	48	48	50.0	9	ADE1M403NPN	ADE1N1253NPN
ADE1	50	M50	1 1/2"	N150	0	23.0 - 34.0	48	55	49.7	9	ADE1M500NPN	ADE1N1500NPN
ADE1	50	M50	1 1/2"	N150	1	29.0 - 41.0	55	55	52.0	10	ADE1M501NPN	ADE1N1501NPN
ADE1	50	M50	2"	N200	2	35.0 - 45.0 (48.0)	64	64	56.5	11	ADE1M502NPN	ADE1N2002NPN
ADE1	63	M63	-	-	2	35.0 - 48.0	64	67	56.5	11	ADE1M632NPN	-
ADE1	63	M63	2"	N200	3	42.0 - 56.0 (53.0)	72	72	60.0	12	ADE1M633NPN	ADE1N2003NPN
ADE1	75	M75	2 1/2"	N250	3	50.0 - 65.0 (62.5)	85	85	67.5	13	ADE1M753NPN	ADE1N2503NPN
ADE1	90	M90	3"	N300	2	58.0 - 74.0	95	95	69.0	14	ADE1M902NPN	ADE1N3002NPN
ADE1	90	M90	3"	N300	3	66.0 - 83.0 (78.0)	110	110	80.0	15	ADE1M903NPN	ADE1N3003NPN
ADE1	110	M110	3 1/2"	N350	2	75.0 - 93.0 (92.0)	120	120	80.0	16	ADE1M1102NPN	ADE1N3502NPN
ADE1	110	M110	4"	N400	3	85.0 - 104.0	135	135	90.0	17	ADE1M1103NPN	ADE1N4003NPN

* Not UL certified. Above catalog numbers are for nickel-plated brass; refer to order code diagram for other options.

All dimensions in mm.

ADE-1F2 DS - for non-armoured cable

Hazardous area cable glands



Suitable for the following cable types:

- Non-armoured cable
 - Marine shipboard cable; Type P cable
 - Tray cable: TC
- Double seal provides 100% of cable clamping.

Certifications and compliances

- **ATEX No. INERIS 12ATEX0032X**
Zones 1 and 2, Groups I, IIA, IIB and IIC
Zones 21 and 22, Groups IIIA, IIIB and IIIC
⊕ II2GD / Ex db IIC / Ex eb IIC / Ex tb IIIC
⊕ II3G Ex nRc IIC
⊕ IM2 / Ex db I / Ex eb I ; for mining applications
Brass or bronze size 8 to 17; NPT 1" to 4", ISO 32 to 110
Stainless steel size 4 to 17; NPT 3/8" to 4", ISO 16 to 110
- **IECEX No. IECEX INE 12.0025X**
Zones 1 and 2, Groups I, IIA, IIB and IIC
Zones 21 and 22, Groups IIIA, IIIB and IIIC
Ex db IIC / Ex eb IIC / Ex nRc IIC / Ex tb IIIC
Ex db I / Ex eb I ; for mining applications
Brass or bronze size 8 to 17; NPT 1" to 4", ISO 32 to 110
Stainless steel size 8 to 17; NPT 1" to 4", ISO 32 to 110



• UL: 3DJN E310130 Class I Zone 1*, AEx e II

⊕ ADE size 3 to 8, NPT 1/2" to 1 1/4" or ISO 20 to 40 with non-armoured cable
TC-ER-HL up to 1" diameter

• UL: 3DJN E310130 Class I Zone 2*, AEx e II, Ex e II

⊕ ADE size 3 to 17, NPT 1/2" to 4" or ISO 20 to 110 with non-armoured cable
ITC, MV, PLTC, TC-ER, TC-ER-HL, TC

• UL: 3LRC E314047 Class I Zone 2*, AEx e II, Ex e II

⊕ ADE size 3 to 17, NPT 1/2" to 4" or ISO 20 to 110 with non-armoured marine cable

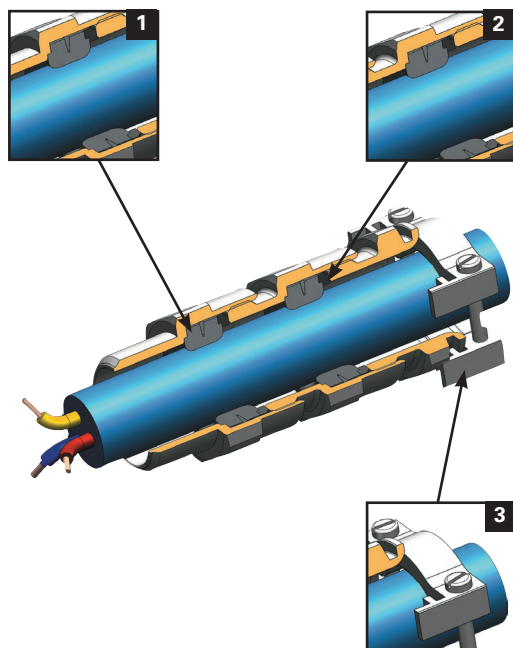
* Can be used in Div.2 provided that the enclosure contains no components that produce arcs or sparks.

Other certificates:

CEPEL 05.0558X
CCoE P360379-1
KOSHA 2015-BO-0249 to 0256
NANIO TC-RU C-FR.ГБ05.B.00858
NEPSI GYJ13.1082X
SABS MS/15-0314X

Shipping applications:

ABS 14-HS1274083-PDA
BV 40910/A0 BV
DNV TAE000010X
Lloyds 11/00072
DTS-01:1991



Technical specification

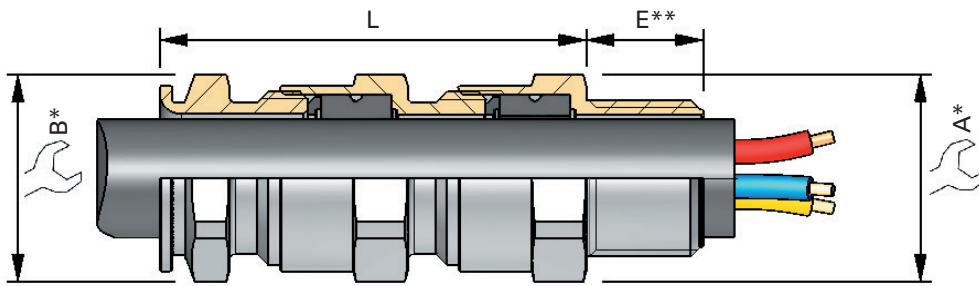
- Nickel-plated brass for superior corrosion resistance. 316L stainless steel, bronze and aluminum options available. It is recommended that a suitable lubricant is used on all threads of stainless steel and aluminum versions.
- Temperature range: -60 °C to +140 °C
- IP66 / IP68 according to the method of attachment and the condition of the equipment area, see page 2.5

Features and benefits

- 1: Flameproof and sealing on outer sheath of the cable
- 2: Environmental sealing and controlled pulling resistance on outer sheath of the cable.
- 3: Additional clamping for strain relief (optional).

ADE-1F2 DS - for non-armoured cable

Hazardous area cable glands



* For 'across corners' dimensions, multiply 'across flats' dimensions by 1.1

** For 'E' see thread dimension page 5.18

SERIES	THREAD SIZE	CABLE SEALING RANGE	MATERIAL	OPTION
ADE2	M25	3	NPN	

0 = XS
1 = S
2 = M
3 = L

CODES

K1	Accessories kit 1
K2	Accessories kit 2
K3	Accessories kit 3
BLANK	No option

KIT OPTIONS

K1	Kit 1 contents:
	<ul style="list-style-type: none"> • Locknut • Green composite washer
	Kit 2 contents:
K2	<ul style="list-style-type: none"> • Locknut • Green composite washer • Earth tag • Shroud
	Kit 3 contents:
	<ul style="list-style-type: none"> • Locknut • Green composite washer • Earth tag • Serrated washer
K3	

SELECT

SELECT

Ordering codes

SERIES	THREAD SIZE (ISO)	THREAD SIZE CODE (ISO)	THREAD SIZE (NPT)	THREAD SIZE CODE (NPT)	CABLE SEALING RANGE	CABLE SEALING RANGE ISO (NPT) OUTER SHEATH MIN - MAX	A	B	L	ADE GLAND SIZE	CATALOG NUMBER (ISO)	CATALOG NUMBER (NPT)
ADE2	12*	M12	-	-	3	4.5 - 8.0	17	17	42.0	4	ADE2M123NPN	-
ADE2	16*	M16	-	-	2	4.5 - 8.5	17	19	42.0	4	ADE2M162NPN	-
ADE2	16*	M16	-	-	3	7.0 - 12.0	19	19	47.0	5	ADE2M163NPN	-
ADE2	20	M20	1/2"	N050	0	2.7 - 5.5	15	24	42.0	3	ADE2M200NPN	ADE2N0500NPN
ADE2	20	M20	1/2"	N050	1	4.5 - 8.5	17	24	42.0	4	ADE2M201NPN	ADE2N0501NPN
ADE2	20	M20	1/2"	N050	2	7.0 - 12.0	19	24	47.0	5	ADE2M202NPN	ADE2N0502NPN
ADE2	20	M20	1/2"	N050	3	10.0 - 16.0 (15.5)	24	24	54.0	6	ADE2M203NPN	ADE2N0503NPN
ADE2	25	M25	3/4"	N075	1	7.0 - 12.0	19	30	47.0	5	ADE2M251NPN	ADE2N0751NPN
ADE2	25	M25	3/4"	N075	2	10.0 - 16.0	24	30	54.0	6	ADE2M252NPN	ADE2N0752NPN
ADE2	25	M25	3/4"	N075	3	13.5 - 20.5	30	30	63.0	7	ADE2M253NPN	ADE2N0753NPN
ADE2	32	M32	1"	N100	3	18.0 - 27.5 (26.0)	41	41	79.0	8	ADE2M323NPN	ADE2N1003NPN
ADE2	40	M40	1 1/4"	N125	3	23.0 - 34.0	48	48	86.0	9	ADE2M403NPN	ADE2N1253NPN
ADE2	50	M50	1 1/2"	N150	1	29.0 - 41.0	55	55	90.0	10	ADE2M501NPN	ADE2N1501NPN
ADE2	-	-	2"	N200	2	35.0 - 48.0	64	64	90.0	11	-	ADE2N2002NPN
ADE2	50	M50	-	-	2	35.0 - 45.0	64	64	99.0	11	ADE2M502NPN	-
ADE2	63	M63	2"	N200	3	42.0 - 56.0 (53.0)	72	72	106.0	12	ADE2M633NPN	ADE2N2003NPN
ADE2	75	M75	2 1/2"	N250	3	50.0 - 65.0 (62.5)	85	85	119.0	13	ADE2M753NPN	ADE2N2503NPN
ADE2	90	M90	3"	N300	2	58.0 - 74.0	95	95	123.0	14	ADE2M902NPN	ADE2N3002NPN
ADE2	90	M90	3"	N300	3	66.0 - 83.0 (78.0)	110	110	139.0	15	ADE2M903NPN	ADE2N3003NPN
ADE2	110	M110	3 1/2"	N350	2	75.0 - 93.0 (92.0)	120	120	139.0	16	ADE2M1102NPN	ADE2N3502NPN
ADE2	110	M110	4"	N400	3	85.0 - 104.0	135	135	156.0	17	ADE2M1103NPN	ADE2N4003NPN

* Not UL certified. Above catalog numbers are for nickel-plated brass; refer to order code diagram for other options.

ADE-1F2 A - for non-armoured cable

Hazardous area cable glands



Suitable for the following cable types:

- Non-armoured cable
- Marine shipboard cable; Type P cable
- Tray cable: TC

Integral clamping module provides 100% of cable clamping.

Certifications and compliances

• ATEX No. INERIS 12ATEX0032X

Zones 1 and 2, Groups I, IIA, IIB and IIC
Zones 21 and 22, Groups IIIA, IIIB and IIIC

⊕ Ex II2GD / Ex db IIC / Ex eb IIC / Ex tb IIIC

⊕ Ex II3G Ex nRc IIC

⊕ Ex IM2 / Ex db I / Ex eb I ; for mining applications

Brass or bronze size 8 to 17; NPT 1" to 4", ISO 32 to 110
Stainless steel size 4 to 17; NPT 3/8" to 4", ISO 16 to 110

• IECEx No. IECEx INE 12.0025X

Zones 1 and 2, Groups I, IIA, IIB and IIC
Zones 21 and 22, Groups IIIA, IIIB and IIIC

Ex db IIC / Ex eb IIC / Ex nRc IIC / Ex tb IIIC

Ex db I / Ex eb I ; for mining applications

Brass or bronze size 8 to 17; NPT 1" to 4", ISO 32 to 110

Stainless steel size 8 to 17; NPT 1" to 4", ISO 32 to 110

• UL: 3DJN E310130 Class I Zone 1*, AEx e II

⊕ ADE size 3 to 8, NPT 1/2" to 1 1/4" or ISO 20 to 40 with non-armoured cable
TC-ER-HL up to 1" diameter

• UL: 3DJN E310130 Class I Zone 2*, AEx e II, Ex e II

⊕ ADE size 3 to 17, NPT 1/2" to 4" or ISO 20 to 110 with non-armoured cable
ITC, MV, PLTC, TC-ER, TC-ER-HL, TC

• UL: 3LRC E314047 Class I Zone 2*, AEx e II, Ex e II

⊕ ADE size 3 to 17, NPT 1/2" to 4" or ISO 20 to 110 with non-armoured marine cable

*Can be used in Div.2 provided that the enclosure contains no components that produce arcs or sparks.



Other certificates:

CEPEL 05.0558X

CCoE P360379-1

KOSHA 2015-BO-0249 to 0256

NANIO TC-RU C-FR.ГБ05.B.00858

NEPSI GYJ13.1082X

SABS MS/15-0314X

Shipping applications:

ABS 14-HS1274083-PDA

BV 40910/A0 BV

DNV TAE000010X

Lloyds 11/00072

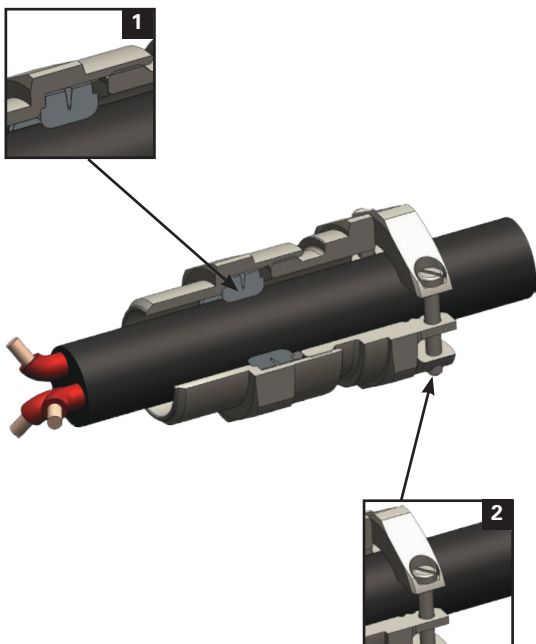
DTS-01:1991

Technical specification

- Nickel-plated brass for superior corrosion resistance. 316L stainless steel, bronze and aluminum options available. It is recommended that a suitable lubricant is used on all threads of stainless steel and aluminum versions.
- Temperature range: -60 °C to +140 °C
- IP66 / IP68 according to the method of attachment and the condition of the equipment area, see page 2.5

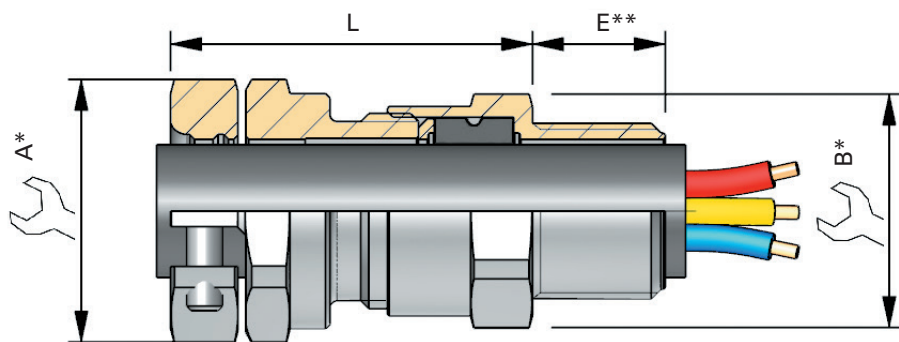
Features and benefits

- 1: Specifically formulated elastomer for IP sealing on outer sheath of cable.
- 2: Integrated external cable clamping for strain relief.



ADE-1F2 A - for non-armoured cable

Hazardous area cable glands



* For 'across corners' dimensions, multiply 'across flats' dimensions by 1.1

** For 'E' see thread dimension page 5.18

SERIES	THREAD SIZE	CABLE SEALING RANGE	MATERIAL	OPTION
ADE1A	M25	3	NPN	

0 = XS
1 = S
2 = M
3 = L

SELECT

SELECT

SELECT

CODES

K1	Accessories kit 1
K2	Accessories kit 2
K3	Accessories kit 3
BLANK	No option

NPN	Nickel-plated brass
SSN	Stainless steel
BZN	Bronze
ALN	Aluminum (not Group I)

KIT OPTIONS

K1	Kit 1 contents:
	<ul style="list-style-type: none"> • Locknut • Green composite washer
K2	Kit 2 contents:
	<ul style="list-style-type: none"> • Locknut • Green composite washer • Earth tag • Shroud
	Kit 3 contents:
K3	<ul style="list-style-type: none"> • Locknut • Green composite washer • Earth tag • Serrated washer

Ordering codes

SERIES	THREAD SIZE (ISO)	THREAD SIZE CODE (ISO)	THREAD SIZE (NPT)	THREAD SIZE CODE (NPT)	CABLE SEALING RANGE	CABLE SEALING RANGE ISO (NPT) OUTER SHEATH MIN - MAX			ADE GLAND SIZE	CATALOG NUMBER (ISO)	CATALOG NUMBER (NPT)
						A	B	L			
ADE1A	16*	M16	-	-	2	4.5 - 8.5	20	19	32.0	4	ADE1AM162NPN -
ADE1A	16*	M16	-	-	3	7.0 - 12.0	24	19	35.0	5	ADE1AM163NPN -
ADE1A	20	M20	1/2"	N050	0	2.8 - 5.5	15	24	28.0	3	ADE1AM200NPN ADE1AN0500NPN
ADE1A	20	M20	1/2"	N050	1	4.5 - 8.5	20	24	32.0	4	ADE1AM201NPN ADE1AN0501NPN
ADE1A	20	M20	1/2"	N050	2	7.0 - 12.0	24	24	35.0	5	ADE1AM202NPN ADE1AN0502NPN
ADE1A	20	M20	1/2"	N050	3	10.0 - (16.0) 15.5	27	24	40.0	6	ADE1AM203NPN ADE1AN0503NPN
ADE1A	25	M25	3/4"	N075	1	7.0 - 12.0	24	30	40.0	5	ADE1AM251NPN ADE1AN0751NPN
ADE1A	25	M25	3/4"	N075	2	10.0 - 16.0	27	30	40.0	6	ADE1AM252NPN ADE1AN0752NPN
ADE1A	25	M25	3/4"	N075	3	13.5 - 20.5	32	30	45.0	7	ADE1AM253NPN ADE1AN0753NPN
ADE1A	32	M32	1"	N100	3	18.0 - 27.5 (26.0)	41	41	55.0	8	ADE1AM323NPN ADE1AN1003NPN
ADE1A	40	M40	-	-	3	23.0 - 34.0	48	48	59.0	9	ADE1AM403NPN -

* Not UL certified. Above catalog numbers are for nickel-plated brass; refer to order code diagram for other options.

ADE-1F2 O-ring - for non-armoured cable

Hazardous area cable glands



Suitable for the following cable types:

- Non-armoured cable
- Marine shipboard cable; Type P cable
- Tray cable: TC

Provides 25% of cable clamping. As per IEC60079 § A.2.3.2 for group II or III cable glands, "without a clamping device, additional clamping of the cable is needed to ensure that pulling & twisting is not transmitted to the terminations". We recommend using the certified ADE clamping module (page 2.29).

Certifications and compliances

• ATEX No. INERIS 12ATEX0032X

Zones 1 and 2, Groups IIA, IIB and IIC
Zones 21 and 22, Groups IIIA, IIIB and IIIC

⊕ II2GD / Ex db IIC / Ex eb IIC / Ex tb IIIC

⊕ II3G Ex nRc IIC

• IECEx No. IECEx INE 12.0025X

Zones 1 and 2, Groups IIA, IIB and IIC

Zones 21 and 22, Groups IIIA, IIIB and IIIC

Ex db IIC / Ex eb IIC / Ex nRc IIC / Ex tb IIIC

• UL: 3DJN E310130 Class I Zone 1*, AEx e II

Ⓛ ADE size 3 to 8, ISO 20 to 40 with non-armoured cable TC-ER-HL up to 1" diameter.

• UL: 3DJN E310130 Class I Zone 2*, AEx e II, Ex e II

Ⓛ ADE size 3 to 17, ISO 20 to 110 with non-armoured cable ITC, MV, PLTC, TC-ER, TC-ER-HL, TC

• UL: 3LRC E314047 Class I Zone 2*, AEx e II, Ex e II

Ⓛ ADE size 3 to 17, ISO 20 to 110 with non-armoured marine cable

*Can be used in Div.2 provided that the enclosure contains no components that produce arcs or sparks.



Other certificates:

CEPEL 05.0558X

CCoE P360379-1

KOSHA 2015-BO-0245 to 0248

NANIO TC-RU C-FR.ГБ05.В.00858

NEPSI GYJ13.1082X

SABS MS/15-0314X

Shipping applications:

ABS 14-HS1274083-PDA

BV 40910/A0 BV

DNV TAE000010X

Lloyds 11/00072

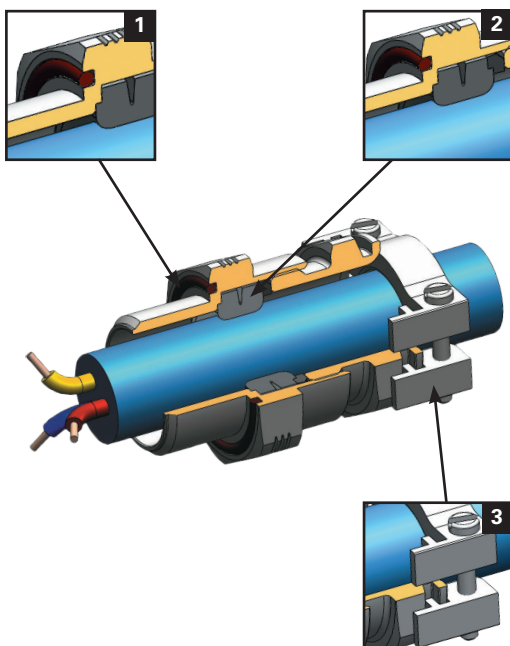
DTS-01:1991

Technical specification

- Nickel-plated brass for superior corrosion resistance. 316L stainless steel option available. It is recommended that a suitable lubricant is used on all threads of stainless steel and aluminum versions.
- Temperature range: -60 °C to +140 °C
- IP66 / IP68 according to the method of attachment and the condition of the equipment area, see page 2.5

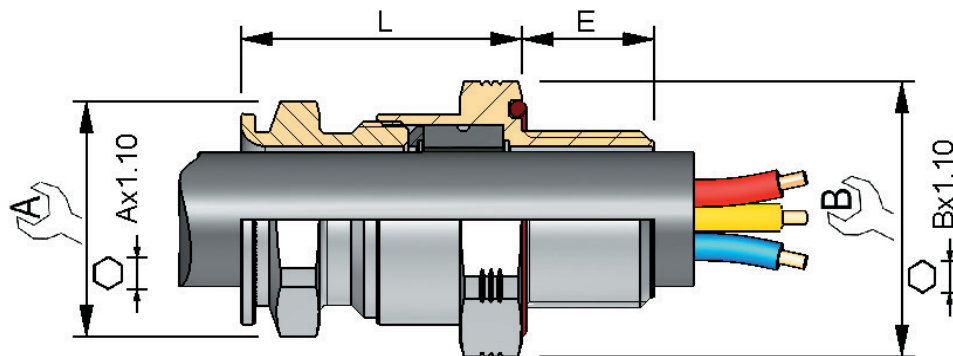
Features and benefits

- 1: Integrated O-ring eliminates need for externally fitted sealing washer.
- 2: Specifically formulated elastomer for IP sealing on outer sheath of cable.
- 3: Additional external cable clamping for strain relief (optional).



ADE-1F2 O-ring - for non-armoured cable

Hazardous area cable glands



* For 'across corners' dimensions, multiply 'across flats' dimensions by 1.1

** For 'E' see thread dimension page 5.18

SERIES	THREAD SIZE	CABLE SEALING RANGE	MATERIAL	OPTION
ADE10	M25	3	NPN	

0 = XS
1 = S
2 = M
3 = L

CODES

BLANK	CODES
	No option
NPN	Nickel-plated brass
SSN	Stainless steel

KIT OPTIONS

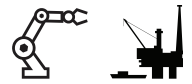
K1	Kit 1 contents: • Locknut • Green composite washer
K2	Kit 2 contents: • Locknut • Green composite washer • Earth tag • Shroud
K3	Kit 3 contents: • Locknut • Green composite washer • Earth tag • Serrated washer

Ordering codes

SERIES	THREAD SIZE (ISO)	THREAD SIZE CODE (ISO)	CABLE SEALING RANGE	CABLE SEALING RANGE ISO OUTER SHEATH MIN - MAX	A	B	L	ADE GLAND SIZE	CATALOG NUMBER (ISO)
ADE10	20	M20	0	2.8 - 5.5	15	28	39.0	3	ADE10M200NPN
ADE10	20	M20	1	4.5 - 8.5	17	28	40.0	4	ADE10M201NPN
ADE10	20	M20	2	7.0 - 12.0	19	28	40.0	5	ADE10M202NPN
ADE10	20	M20	3	10.0 - 16.0	24	28	47.0	6	ADE10M203NPN
ADE10	25	M25	1	7.0 - 12.0	19	34	42.5	5	ADE10M251NPN
ADE10	25	M25	2	10.0 - 16.0	24	34	47.0	6	ADE10M252NPN
ADE10	25	M25	3	13.5 - 20.5	30	34	51.5	7	ADE10M253NPN
ADE10	32	M32	2	13.5 - 21.0	30	41	61.0	7	ADE10M322NPN
ADE10	32	M32	3	18.0 - 27.5	41	41	61.0	8	ADE10M323NPN
ADE10	40	M40	2	18.0 - 27.5	41	48	65.0	8	ADE10M402NPN
ADE10	40	M40	3	23.0 - 34.0	48	48	65.0	9	ADE10M403NPN
ADE10	50	M50	0	23.0 - 34.0	48	58	68.0	9	ADE10M500NPN
ADE10	50	M50	1	29.0 - 41.0	55	58	68.0	10	ADE10M501NPN
ADE10	50	M50	2	35.0 - 45.0	64	64	72.5	11	ADE10M502NPN
ADE10	63	M63	2	35.0 - 45.0	64	72	77.0	11	ADE10M632NPN
ADE10	63	M63	3	42.0 - 56.0	72	72	77.0	12	ADE10M633NPN

1F2 ADCC- for flexible and rigid conduit

Hazardous area cable glands



Suitable for the following cable types:

- Non-armoured cable in flexible conduit
- Non-armoured cable in rigid conduit

Certifications and compliances

• ATEX No. ITS 16ATEX18417X, INERIS 12ATEX0032X

Zones 1 and 2, Groups IIA, IIB and IIC
Zones 21 and 22, Groups IIIA, IIIB and IIIC

⊕ II2GD / Ex db IIC / Ex eb IIC / Ex tb IIIC

• IECEx No. IECEx ITS 16.0027X, IECEx INE 12.0025X

Zones 1 and 2, Groups IIA, IIB and IIC

Zones 21 and 22, Groups IIIA, IIIB and IIIC

Ex db IIC / Ex eb IIC / Ex nRc IIC / Ex tb IIIC

Other certificates:

NEPSI GYJ18.1100X

SABS MS/18-0208X

Shipping applications:

ABS 14-HS1274083-PDA

DNV TAE000010X

DTS-01:1991



Technical specification

- Nickel-plated brass for superior corrosion resistance. 316L stainless steel option available. It is recommended that a suitable lubricant is used on all threads of stainless steel versions.
- Temperature range: -60 °C to +140 °C
- IP66 / IP68 according to the method of attachment and the condition of the equipment area, see page 2.5
- Connector for flexible conduit may be required; we recommend the JUDODIX range of connectors - see pages 4.25 to 4.27

Features and benefits

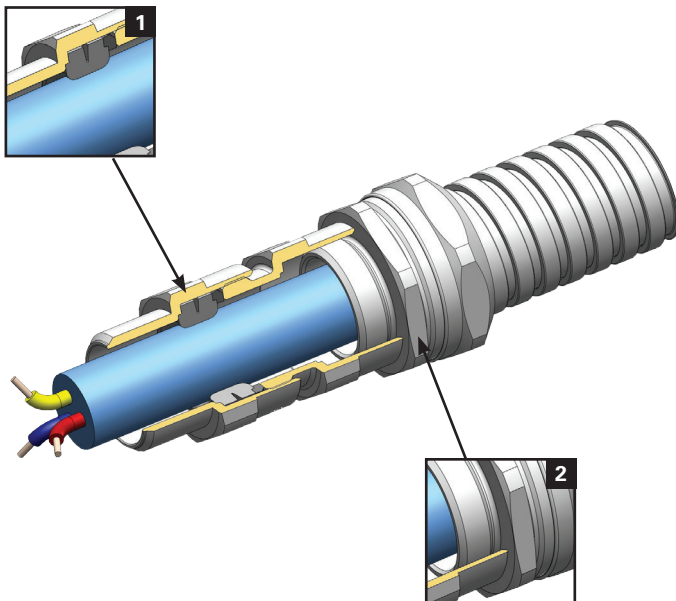
- 1: Specifically formulated flameproof elastomer for IP sealing on outer sheath of cable
- 2: Female thread for flexible or rigid conduit - multiple female thread options available



IP66

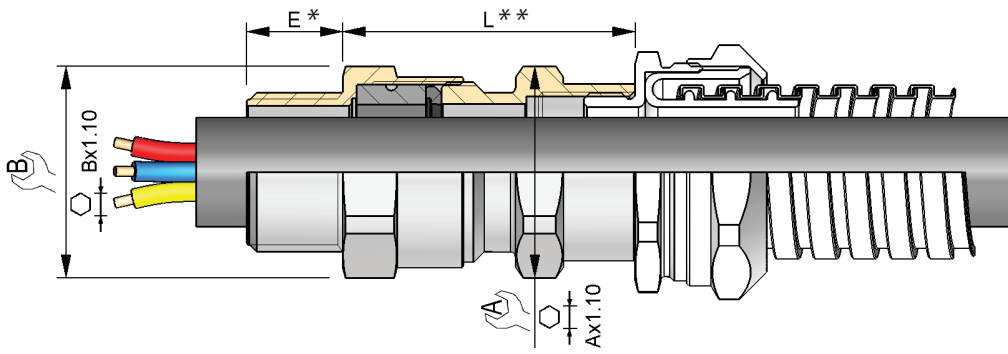
IP68

option
316L



1F2 ADCC- for flexible and rigid conduit

Hazardous area cable glands



* For 'E' see thread dimension page 5.18

** For 'L' dimensions, see the ADCC conduit gland dimension data table

For 'across corners' dimensions, multiply 'across flats' dimensions by 1.1

SERIES	THREAD SIZE MALE	CABLE SEALING RANGE	THREAD SIZE FEMALE	MATERIAL	OPTION
ADCC	M25	3	M25	NPN	

CODES

K1	Accessories kit 1
BLANK	No option

KIT OPTIONS

K1	Kit 1 contents:
	• Locknut
	• Green composite washer

NPN | Nickel-plated brass
SSN | Stainless steel

0 = XS
1 = S
2 = M
3 = L

ADCC = rigid connection

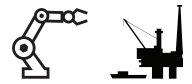
Code example: **ADCCM253M25NPN**
cable gland ADCC in nickel-plated brass, male M25 x female M25, sealing range n°3

SERIES	MALE THREAD SIZE (ISO)		MALE THREAD SIZE (NPT)		CABLE SEALING RANGE	CABLE SEALING RANGE ISO (NPT)	OUTER SHEATH MIN - MAX	FEMALE THREAD SIZE			DIMENSIONS		ADE GLAND SIZE
	THREAD SIZE	THREAD SIZE CODE	THREAD SIZE	THREAD SIZE CODE				ISO	NPT	BSP	A	B	
ADCC	20	M20	1/2"	N050	0	2.8 - 5.5	M20	N050	G050	24.0	24.0	3	
ADCC	20	M20	1/2"	N050	1	4.5 - 8.5	M20	N050	G050	24.0	24.0	4	
ADCC	20	M20	1/2"	N050	2	7.0 - 12.0	M20	N050	G050	24.0	24.0	5	
ADCC	20	M20	1/2"	N050	3	10.0 - 16.0 (15.5)	M20	N050	G050	24.0	24.0	6	
ADCC	20	M20	1/2"	N050	3	10.0 - 16.0 (15.5)	M25	N075	G075	30.0	24.0	6	
ADCC	25	M25	3/4"	N075	2	10.0 - 16.0	M25	N075	G075	30.0	30.0	6	
ADCC	25	M25	3/4"	N075	3	13.5 - 20.5	M25	N075	G075	30.0	30.0	7	
ADCC	25	M25	3/4"	N075	3	13.5 - 20.5	M32	N100	G100	41.0	30.0	7	
ADCC	32	M32	1"	N100	2	13.5 - 20.5	M32	N100	G100	41.0	41.0	7	
ADCC	32	M32	1"	N100	3	18.0 - 27.5 (26.0)	M32	N100	G100	41.0	41.0	8	
ADCC	32	M32	1"	N100	3	18.0 - 27.5 (26.0)	M40	N125	G125	48.0	41.0	8	
ADCC	40	M40	1 1/4"	N125	2	18.0 - 27.5	M40	N125	G125	48.0	48.0	8	
ADCC	40	M40	1 1/4"	N125	3	23.0 - 34.0	M40	N125	G125	48.0	48.0	9	
ADCC	40	M40	1 1/4"	N125	3	23.0 - 34.0	M50	N150	G150	55.0	48.0	9	
ADCC	50	M50	1 1/2"	N150	1	23.0 - 34.0	M50	N150	G150	55.0	55.0	9	
ADCC	50	M50	1 1/2"	N150	2	29.0 - 41.0	M50	N150	G150	55.0	55.0	10	
ADCC	50	M50	-	-	3	35.0 - 45.0	M50	N150	G150	64.0	55.0	11	
ADCC	50	M50	-	-	3	35.0 - 45.0	M63	N200	G200	72.0 (64.0)	55.0	11	
ADCC	63	M63	2"	N200	2	35.0 - 48.0	M63	N200	G200	72.0 (64.0)	72.0	11	
ADCC	63	M63	2"	N200	3	42.0 - 56.0 (53.0)	M63	N200	G200	72.0	72.0	12	
ADCC	63	M63	2"	N200	3	42.0 - 56.0 (53.0)	M75	N250	G250	85.0	72.0	12	
ADCC	75	M75	2 1/2"	N250	2	42.0 - 56.0	M75	N250	G250	85.0	85.0	12	
ADCC	75	M75	2 1/2"	N250	3	50.0 - 65.0 (62.5)	M75	N250	G250	85.0	85.0	13	
ADCC	75	M75	2 1/2"	N250	3	50.0 - 65.0 (62.5)	M90	N300	G300	95.0	95.0	13	
ADCC	90	M90	3"	N300	2	58.0 - 74.0	M90	N300	G300	95.0	95.0	14	
ADCC	90	M90	3"	N300	3	66.0 - 83.0 (78.0)	M90	N300	G300	110.0	110.0	15	
ADCC	-	-	3 1/2"	N350	2	66.0 - 78.0	M90	N350	G350	110.0	110.0	15	
ADCC	-	-	3 1/2"	N350	3	75.0 - 92.0	M110	N350	G350	120.0	120.0	16	
ADCC	110	M110	-	-	2	75.0 - 93.0	M110	N350	G350	120.0	120.0	16	
ADCC	110	M110	4"	N400	3	85.0 - 104.0	M110	N400	G400	135.0	135.0	17	

All dimensions in mm.

1F2 ADCS - for rigid conduit

Hazardous area cable glands



Suitable for the following cable types:

- Non-armoured cable in rigid conduit

Certifications and compliances

• ATEX No. ITS 16ATEX18417X, INERIS 12ATEX0032X

Zones 1 and 2, Groups IIA, IIB and IIC
Zones 21 and 22, Groups IIIA, IIIB and IIIC
⊕ IIC / Ex db IIC / Ex eb IIC / Ex tb IIC

• IECEx No. IECEx ITS 16.0027X, IECEx INE 12.0025X

Zones 1 and 2, Groups IIA, IIB and IIC
Zones 21 and 22, Groups IIIA, IIIB and IIIC
Ex db IIC / Ex eb IIC / Ex nRc IIC / Ex tb IIC

Other certificates:

NEPSI GYJ18.1100X

SABS MS/18-0208X

Shipping applications:

ABS 14-HS1274083-PDA

DNV TAE000010X

DTS-01:1991

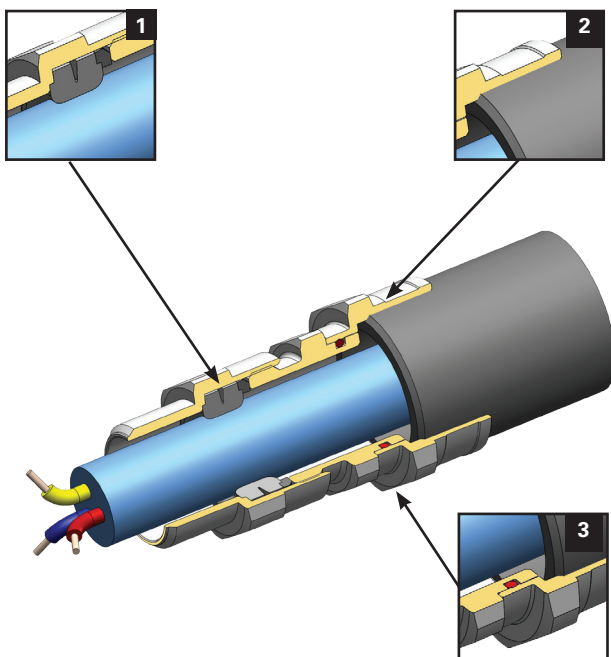


Technical specification

- Nickel-plated brass for superior corrosion resistance. 316L stainless steel option available. It is recommended that a suitable lubricant is used on all threads of stainless steel versions.
- Temperature range: -60 °C to +140 °C
- IP66 / IP68 according to the method of attachment and the condition of the equipment area, see page 2.5

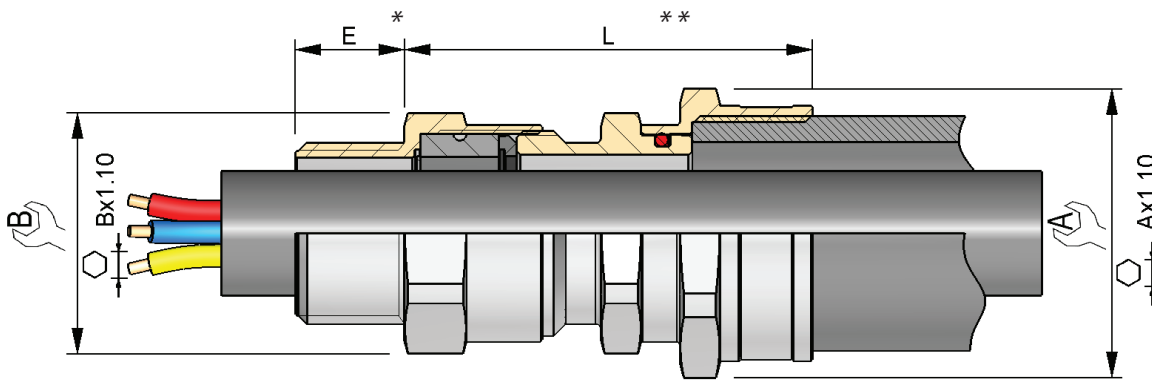
Features and benefits

- 1: Specifically formulated flameproof elastomer for IP sealing on outer sheath of cable
- 2: Female thread for rigid conduit - multiple female thread options available
- 3: Swivel connection providing easy installation for rigid conduit



1F2 ADCS - for rigid conduit

Hazardous area cable glands



* For 'E' see thread dimension page 5.18

** For 'L' dimensions, see the ADCS conduit gland dimension data table

For 'across corners' dimensions, multiply 'across flats' dimensions by 1.1

SERIES	THREAD SIZE MALE	CABLE SEALING RANGE	THREAD SIZE FEMALE	MATERIAL	OPTION
ADCS	M25	3	M25	NPN	

CODES

K1	Accessories kit 1
BLANK	No option

KIT OPTIONS

K1	Kit 1 contents:
	• Locknut
	• Green composite washer

NPN | Nickel-plated brass
SSN | Stainless steel

0 = XS
1 = S
2 = M
3 = L

ADCS = swivel connection

Code example: **ADCSM253M25NPN**
cable gland ADCS in nickel-plated brass, male M25 x female M25, sealing range n°3

SERIES	MALE THREAD SIZE (ISO)		MALE THREAD SIZE (NPT)		CABLE SEALING RANGE	CABLE SEALING RANGE ISO (NPT)	FEMALE THREAD SIZE			DIMENSIONS ISO (NPT)		ADE GLAND SIZE
	THREAD SIZE	THREAD SIZE CODE	THREAD SIZE	THREAD SIZE CODE			ISO	NPT	BSP	A	B	
ADCS	20	M20	1/2"	N050	0	2.8 - 5.5	M20	N050	G050	24.0 (27.0)	24.0	3
ADCS	20	M20	1/2"	N050	1	4.5 - 8.5	M20	N050	G050	24.0 (27.0)	24.0	4
ADCS	20	M20	1/2"	N050	2	7.0 - 12.0	M20	N050	G050	24.0 (27.0)	24.0	5
ADCS	20	M20	1/2"	N050	3	10.0 - 16.0 (15.5)	M20	N050	G050	24.0 (27.0)	24.0	6
ADCS	20	M20	1/2"	N050	3	10.0 - 16.0 (15.5)	M25	N075	G075	30.0	24.0	6
ADCS	25	M25	3/4"	N075	2	10.0 - 16.0	M25	N075	G075	30.0	30.0	6
ADCS	25	M25	3/4"	N075	3	13.5 - 20.5	M25	N075	G075	30.0	30.0	7
ADCS	25	M25	3/4"	N075	3	13.5 - 20.5	M32	N100	G100	36.0 (41.0)	30.0	7
ADCS	32	M32	1"	N100	2	13.5 - 20.5	M32	N100	G100	36.0 (41.0)	41.0	7
ADCS	32	M32	1"	N100	3	18.0 - 27.5 (26.0)	M32	N100	G100	41.0	41.0	8
ADCS	32	M32	1"	N100	3	18.0 - 27.5 (26.0)	M40	N125	G125	44.0 (48.0)	41.0	8
ADCS	40	M40	1 1/4"	N125	2	18.0 - 27.5	M40	N125	G125	44.0 (48.0)	48.0	8
ADCS	40	M40	1 1/4"	N125	3	23.0 - 34.0	M40	N125	G125	48.0	48.0	9
ADCS	40	M40	1 1/4"	N125	3	23.0 - 34.0	M50	N150	G150	55.0	48.0	9
ADCS	50	M50	1 1/2"	N150	1	23.0 - 34.0	M50	N150	G150	55.0	55.0	9
ADCS	50	M50	1 1/2"	N150	2	29.0 - 41.0	M50	N150	G150	55.0	55.0	10
ADCS	50	M50	-	-	3	35.0 - 45.0	M50	N150	G150	64.0	55.0	11
ADCS	50	M50	-	-	3	35.0 - 45.0	M63	N200	G200	67.0	55.0	11
ADCS	63	M63	2"	N200	2	35.0 - 48.0	M63	N200	G200	67.0	72.0	11
ADCS	63	M63	2"	N200	3	42.0 - 56.0 (53.0)	M63	N200	G200	72.0	72.0	12
ADCS	63	M63	2"	N200	3	42.0 - 56.0 (53.0)	M75	N250	G250	85.0	72.0	12
ADCS	75	M75	2 1/2"	N250	2	42.0 - 56.0	M75	N250	G250	85.0	85.0	12
ADCS	75	M75	2 1/2"	N250	3	50.0 - 65.0 (62.5)	M75	N250	G250	85.0	85.0	13
ADCS	75	M75	2 1/2"	N250	3	50.0 - 65.0 (62.5)	M90	N300	G300	95.0	95.0	13
ADCS	90	M90	3"	N300	2	58.0 - 74.0	M90	N300	G300	95.0	95.0	14
ADCS	90	M90	3"	N300	3	66.0 - 83.0 (78.0)	M90	N300	G300	110.0	110.0	15
ADCS	-	-	3 1/2"	N350	2	66.0 - 78.0	M90	N350	G350	110.0	110.0	15
ADCS	-	-	3 1/2"	N350	3	75.0 - 92.0	M110	N350	G350	120.0	120.0	16
ADCS	110	M110	-	-	2	75.0 - 93.0	M110	N350	G350	120.0	120.0	16
ADCS	110	M110	4"	N400	3	85.0 - 104.0	M110	N400	G400	135.0	135.0	17

All dimensions in mm.

ADE-1FC - for non-armoured cable

Hazardous area cable glands



Suitable for the following cable types:

- Non-armoured cable
- Marine shipboard cable; Type P cable
- Tray cable: TC

Sealing ring and TSC compound provides 100% of cable clamping

Certifications and compliances

• ATEX No. INERIS 12ATEX0032X

Zones 1 and 2, Groups I, IIA, IIB and IIC
Zones 21 and 22, Groups IIIA, IIIB and IIIC

⊕ IIC / Ex db IIC / Ex eb IIC / Ex tb IIIC

⊕ IIG Ex nRc IIC

⊕ IM2 / Ex db I / Ex eb I ; for mining applications

Brass, stainless steel or bronze size 11 to 16; NPT 2" to 4", ISO 63 to 110

• IECEx No. IECEx INE 12.0025X

Zones 1 and 2, Groups I, IIA, IIB and IIC
Zones 21 and 22, Groups IIIA, IIIB and IIIC
Ex db IIC / Ex eb IIC / Ex nRc IIC / Ex tb IIIC
Ex db I / Ex eb I ; for mining applications

Brass, stainless steel or bronze size 11 to 16; NPT 2" to 4", ISO 63 to 110

• UL: 3DJN E310130 Class I Zone 2*, AEx e II, Ex e II

Ⓢ ADE size 4 to 16, NPT 1/2" to 4" or ISO 20 to 110 with non-armoured cable ITC, MV, PLTC, TC-ER, TC-ER-HL, TC and compound TSC

• UL: 3DJN E310130 Class I Division 1, Groups A, B, C and D

Ⓢ ADE size 4 to 9, NPT 1/2" to 1 1/4" or ISO 20 to 40 with non-armoured cable TC-ER-HL and compound TSC. ADE size 4 to 16, NPT 1/2" to 4" or ISO 20 to 110 with non-armoured cable ITC-HL and compound TSC

• UL: 3DJN E310130 Class I Division 2, Groups A, B, C and D

Ⓢ ADE size 4 to 16, NPT 1/2" to 4" or ISO 20 to 110 with non-armoured cable ITC, ITC-ER, ITC-HL, MV, PLTC, PLTC-ER, TC-ER, TC-ER-HL, TC and compound TSC

• UL: 4EC5 E324850 Class I Division 2, Groups A, B, C and D

Ⓢ ADE size 4 to 16, NPT 1/2" to 4" or ISO 20 to 110 with non-armoured marine cable and compound TSC

* Can be used in Div.2 provided that the enclosure contains no components that produce arcs or sparks



Other certificates:

CEPEL 05.0558X

CCoE P360379-1

KOSHA 2015-BO-0479 to 0482

NANIO TC-RU C-FR.ГБ05.В.00858

NEPSI GYJ13.1082X

SABS MS/15-0314X

Shipping applications:

ABS 14-HS1274083-PDA

BV 40910/A0 BV

DNV TAE000010X

Lloyds 11/00072

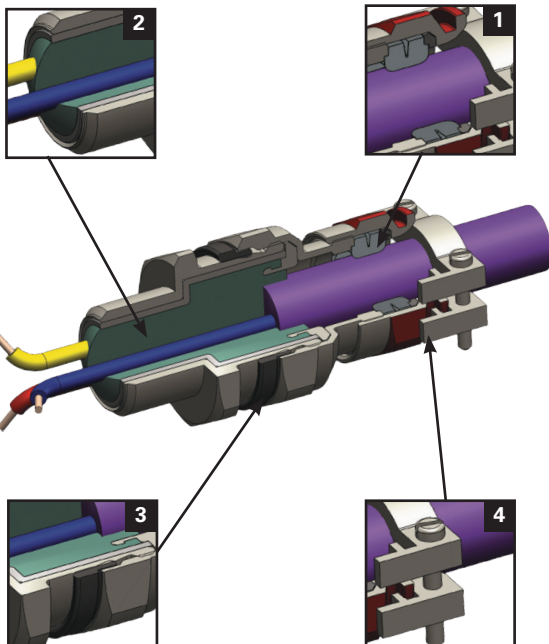
DTS-01:1991

Technical specification

- Nickel-plated brass for superior corrosion resistance. 316L stainless steel, bronze and aluminum options available. It is recommended that a suitable lubricant is used on all threads of stainless steel and aluminum versions.
- Temperature range: -60 °C to +80 °C
- IP66 / IP68 according to the method of attachment and the condition of the equipment area, see page 2.5
- Equipped with a 'deluge' seal.

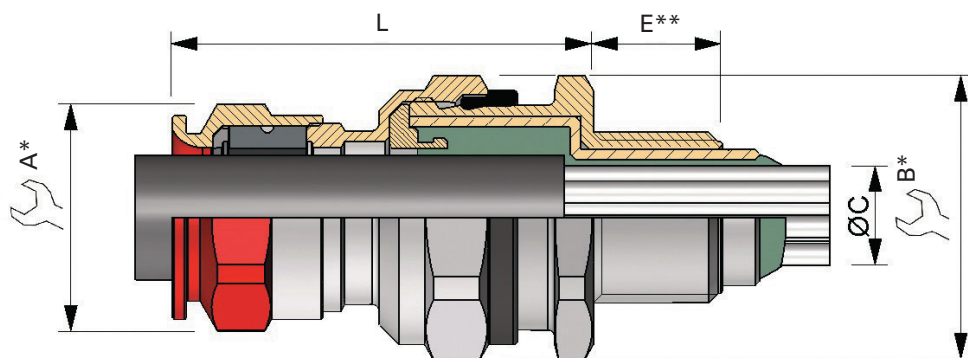
Features and benefits

- 1: Specifically formulated elastomer for IP sealing on outer sheath of cable
- 2: Sealing of cable conductors with compound barrier seal
- 3: Deluge seal provides enhanced ingress protection
- 4: Additional external cable clamping for strain relief (optional)



ADE-1FC - for non-armoured cable

Hazardous area cable glands



* For 'across corners' dimensions, multiply 'across flats' dimensions by 1.1

** For 'E' see thread dimension page 5.18

SERIES	THREAD SIZE	CABLE SEALING RANGE	MATERIAL	BARRIER	OPTION
ADE1C	M25	3	NP	SCN	

0 = XS
1 = S
2 = M
3 = L

CODES

K1	Accessories kit 1
K2	Accessories kit 2
K3	Accessories kit 3
BLANK	No option
SCN	Solid compound
NP	Nickel-plated brass
SS	Stainless steel

KIT OPTIONS

K1	Kit 1 contents:
	• Locknut
	• Green composite washer
K2	Kit 2 contents:
	• Locknut
	• Green composite washer
	• Earth tag
	• Shroud
K3	Kit 3 contents:
	• Locknut
	• Green composite washer
	• Earth tag
	• Serrated washer

Ordering codes

SERIES	THREAD SIZE (ISO)	THREAD SIZE CODE (ISO)	THREAD SIZE (NPT)	THREAD SIZE CODE (NPT)	CABLE SEALING RANGE	CABLE SEALING RANGE MIN - MAX	C=Ø MAX OVER CORES	MAX No. OF CORES	A	B	L	ADE GLAND SIZE	CATALOG NUMBER (ISO)	CATALOG NUMBER (NPT)
ADE1C	16*	M16	3/8**	N038	3	4.0 - 8.0	6.5	6	15	19	36.0	4	ADE1CM163NPSCN	ADE1CN0383NPSCN
ADE1C	20	M20	1/2"	N050	1	4.0 - 8.0	6.5	6	15	24	36.0	4	ADE1CM201NPSCN	ADE1CN0501NPSCN
ADE1C	20	M20	1/2"	N050	2	6.0 - 12.0	9.5	6	19	24	42.0	5	ADE1CM202NPSCN	ADE1CN0502NPSCN
ADE1C	20	M20	1/2"	N050	3	8.5 - 16.0	12.0	10	24	30	48.5	6	ADE1CM203NPSCN	ADE1CN0503NPSCN
ADE1C	25	M25	3/4"	N075	2	8.5 - 16.0	12.0	10	24	30	48.5	6	ADE1CM252NPSCN	ADE1CN0752NPSCN
ADE1C	25	M25	3/4"	N075	3	12.0 - 21.0	17.0	21	30	41	58.0	7	ADE1CM253NPSCN	ADE1CN0753NPSCN
ADE1C	32	M32	1"	N100	2	12.0 - 21.0	17.0	21	30	41	58.0	7	ADE1CM322NPSCN	ADE1CN1002NPSCN
ADE1C	32	M32	1"	N100	3	16.0 - 27.5	23.0	42	41	48	70.0	8	ADE1CM323NPSCN	ADE1CN1003NPSCN
ADE1C	40	M40	1 1/4"	N125	2	16.0 - 27.5	23.0	42	41	48	70.0	8	ADE1CM402NPSCN	ADE1CN1252NPSCN
ADE1C	40	M40	1 1/4"	N125	3	21.0 - 34.0	29.0	60	48	55	79.0	9	ADE1CM403NPSCN	ADE1CN1253NPSCN
ADE1C	50	M50	1 1/2"	N150	2	21.0 - 34.0	29.0	60	48	55	79.0	9	ADE1CM502NPSCN	ADE1CN1502NPSCN
ADE1C	50	M50	2"	N200	1	27.0 - 41.0	36.5	80	55	64	88.0	10	ADE1CM501NPSCN	ADE1CN2001NPSCN
ADE1C	63	M63	2"	N200	2	33.0 - 48.0	43.0	100	64	72	98.0	11	ADE1CM632NPSCN	ADE1CN2002NPSCN
ADE1C	63	M63	2"	N200	3	40.0 - 56.0	50.0	100	72	85	103.0	12	ADE1CM633NPSCN	ADE1CN2003NPSCN
ADE1C	-	-	2 1/2"	N250	2	40.0 - 56.0	50.0	100	72	85	103.0	12	-	ADE1CN2502NPSCN
ADE1C	75	M75	2 1/2"	N250	3	46.0 - 65.0	59.0	120	85	95	111.0	13	ADE1CM753NPSCN	ADE1CN2503NPSCN
ADE1C	-	-	3"	N300	1	46.0 - 65.0	59.0	120	85	95	111.0	13	-	ADE1CN3001NPSCN
ADE1C	90	M90	3"	N300	2	54.0 - 74.0	66.0	140	95	110	120.0	14	ADE1CM902NPSCN	ADE1CN3002NPSCN
ADE1C	-	-	3 1/2"	N350	2	54.0 - 74.0	66.0	140	95	110	120.0	14	-	ADE1CN3502NPSCN
ADE1C	90	M90	3"	N300	3	63.0 - 83.0	75.0	140	110	120	125.0	15	ADE1CM903NPSCN	ADE1CN0383NPSCN
ADE1C	-	-	3 1/2"	N350	3	63.0 - 83.0	75.0	140	110	120	125.0	15	-	ADE1CN3503NPSCN
ADE1C	110	M110	4"	N400	3	72.0 - 93.0	85.0	200	120	135	128.0	16	ADE1CM1103NPSCN	ADE1CN4003NPSCN

* Not UL certified. Above catalog numbers are for nickel-plated brass; refer to order code diagram for other options.

ADE-4F - for armoured cable

Hazardous area cable glands



Suitable for the following cable types:

- Steel wire armoured cable (SWA)
- Steel wire braided cable (SWB)
- Steel tape armoured cable (STA)
- Braided marine shipboard cable; Type P cable

Double seal provides 100% of cable clamping, including braided cables.

Certifications and compliances

• ATEX No. INERIS 12ATEX0032X

Zones 1 and 2, Groups I, IIA, IIB and IIC
Zones 21 and 22, Groups IIIA, IIIB and IIIC
⊕ Ex II2GD / Ex db IIC / Ex eb IIC / Ex tb IIIC
⊕ Ex II3G Ex nRc IIC

⊕ IM2 / Ex db I / Ex eb I ; for mining applications
Brass or bronze size 8 to 17; NPT 3/4" to 4", ISO 25 to 110
Stainless steel size 4 to 17; NPT 3/8" to 4", ISO 16 to 110

• IECEx No. IECEx INE 12.0025X

Zones 1 and 2, Groups I, IIA, IIB and IIC
Zones 21 and 22, Groups IIIA, IIIB and IIIC
Ex db IIC / Ex eb IIC / Ex nRc IIC / Ex tb IIIC
Ex db I / Ex eb I ; for mining applications

Brass or bronze size 8 to 17; NPT 3/4" to 4", ISO 25 to 110
Stainless steel size 4 to 17; NPT 3/8" to 4", ISO 16 to 110

• UL: 3DJN E310130 Class I Zone 2*, AEx e II, Ex e II

⊕ ADE size 4 to 17, NPT 1/2" to 4" or ISO 20 to 110 with armoured cable
ITC, MV, PLTC, TC-ER, TC-ER-HL, TC

• UL: 3LRC E314047 Class I Zone 2*, AEx e II, Ex e II

⊕ ADE size 4 to 17, NPT 1/2" to 4" or ISO 20 to 110 with armoured marine cable

* Can be used in Div.2 provided that the enclosure contains no components that produce arcs or sparks.



Other certificates:

CEPEL 05.0559X

CCoE P360379-1

KOSHA 2015-BO-0245 to 0248

NANIO TC-RU C-FR.ГБ05.B.00858

NEPSI GYJ13.1082X

SABS MS/15-0314X

Shipping applications:

ABS 14-HS1274083-PDA

BV 40910/A0 BV

DNV TAE000010X

Lloyds 11/00072

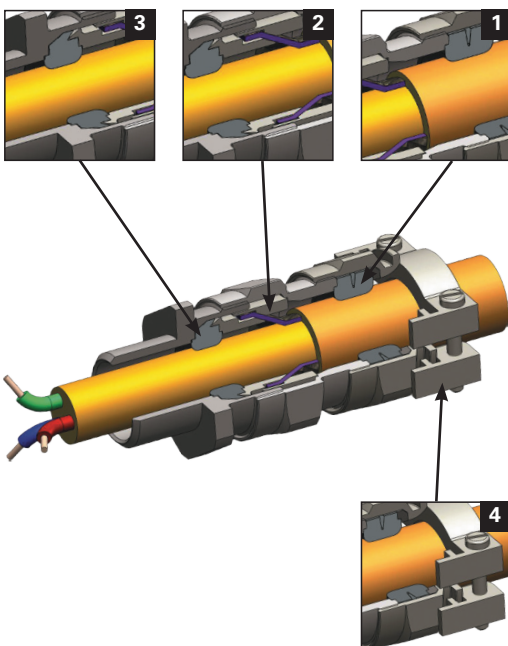
DTS-01:1991

Technical specification

- Nickel-plated brass for superior corrosion resistance. 316L stainless steel, bronze and aluminum options available. It is recommended that a suitable lubricant is used on all threads of stainless steel and aluminum versions.
- Temperature range: -60 °C to +140 °C
- IP66 / IP68 according to the method of attachment and the condition of the equipment area, see page 2.5

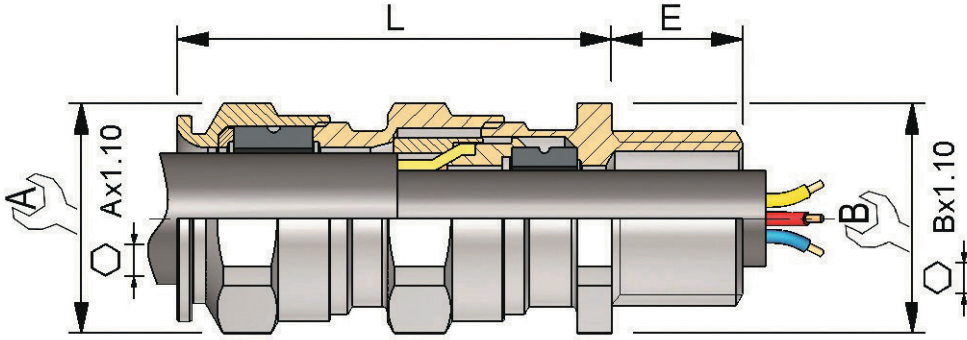
Features and benefits

- 1: Specifically formulated elastomer for IP sealing on outer sheath of cable
- 2: Universal clamping design for earthing and bonding of armour shield. Provides mechanical strength and is suitable for all armour shield types, with no requirement to reverse components that may introduce risk of incorrect installation.
- 3: Specifically formulated elastomer for flame path sealing on inner sheath of the cable.
- 4: Additional external cable clamping for strain relief (optional)



ADE-4F - for armoured cable

Hazardous area cable glands



* For 'across corners' dimensions, multiply 'across flats' dimensions by 1.1

** For 'E' see thread dimension page 5.18

SERIES	THREAD SIZE	CABLE SEALING RANGE	MATERIAL	OPTION
ADE4	M25	3	NPN	

- 0 = XS
- 1 = S
- 2 = M
- 3 = L

CODES

- K1 Accessories kit 1
- K2 Accessories kit 2
- K3 Accessories kit 3
- BLANK No option

KIT OPTIONS

- K1** Kit 1 contents:
 - Locknut
 - Green composite washer
- K2** Kit 2 contents:
 - Locknut
 - Green composite washer
 - Earth tag
 - Shroud
- K3** Kit 3 contents:
 - Locknut
 - Green composite washer
 - Earth tag
 - Serrated washer

- NPN Nickel-plated brass
- SSN Stainless steel
- BZN Bronze
- ALN Aluminum (not Group I)

Ordering codes

SERIES	THREAD SIZE (ISO)	THREAD SIZE CODE (ISO)	THREAD SIZE (NPT)	THREAD SIZE CODE (NPT)	CABLE SEALING RANGE	CABLE SEALING RANGE			A	B	L	ADE GLAND SIZE	CATALOG NUMBER (ISO)	CATALOG NUMBER (NPT)
						INNER SHEATH MIN - MAX	OUTER SHEATH MIN - MAX	ARMOUR MIN - MAX						
ADE4	12*	M12	1/4**	N025	3	4.5 - 8.0	7.0 - 12.0	0.2 - 0.9	19	19	46.0	5	ADE4M123NPN	ADE4N0253NPN
ADE4	16*	M16	3/8**	N038	1	2.8 - 5.5	4.5 - 8.5	0.2 - 0.9	17	19	41.0	4	ADE4M161NPN	ADE4N0381NPN
ADE4	16*	M16	3/8**	N038	2	4.5 - 8.0	7.0 - 12.0	0.2 - 0.9	19	19	46.0	5	ADE4M162NPN	ADE4N0382NPN
ADE4	16*	M16	3/8**	N038	3	7.0 - 12.0	10.0 - 16.0	0.2 - 1.3	24	24	51.0	6	ADE4M163NPN	ADE4N0383NPN
ADE4	20	M20	1/2"	N050	0	2.8 - 5.5	4.5 - 8.5	0.2 - 0.9	17	24	41.0	4	ADE4M200NPN	ADE4N0500NPN
ADE4	20	M20	1/2"	N050	1	4.5 - 8.0	7.0 - 12.0	0.2 - 0.9	19	24	46.0	5	ADE4M201NPN	ADE4N0501NPN
ADE4	20	M20	1/2"	N050	2	7.0 - 12.0	10.0 - 16.0	0.2 - 1.3	24	24	51.0	6	ADE4M202NPN	ADE4N0502NPN
ADE4	20	M20	1/2"	N050	3	10.0 - 15.5	13.5 - 21.0	0.2 - 1.3	30	30	57.5	7	ADE4M203NPN	ADE4N0503NPN
ADE4	25	M25	3/4"	N075	1	7.0 - 12.0	10.0 - 16.0	0.2 - 1.3	24	30	51.0	6	ADE4M251NPN	ADE4N0751NPN
ADE4	25	M25	3/4"	N075	2	10.0 - 15.5	13.5 - 21.0	0.2 - 1.3	30	30	57.5	7	ADE4M252NPN	ADE4N0752NPN
ADE4	25	M25	3/4"	N075	3	13.5 - 20.5	18.0 - 27.5	0.2 - 1.6	41	41	68.0	8	ADE4M253NPN	ADE4N0753NPN
ADE4	32	M32	1"	N100	2	13.5 - 21.0	18.0 - 27.5	0.2 - 1.6	41	41	68.0	8	ADE4M322NPN	ADE4N1002NPN
ADE4	32	M32	1"	N100	3	18.0 - 26.0	23.0 - 34.0	0.2 - 1.6	48	48	76.0	9	ADE4M323NPN	ADE4N1003NPN
ADE4	40	M40	1 1/4"	N125	2	18.0 - 27.5	23.0 - 34.0	0.2 - 1.6	48	48	76.0	9	ADE4M402NPN	ADE4N1252NPN
ADE4	40	M40	1 1/4"	N125	3	23.0 - 34.0	29.0 - 41.0	0.2 - 2.0	55	55	88.0	10	ADE4M403NPN	ADE4N1253NPN
ADE4	50	M50	1 1/2"	N150	2	23.0 - 34.0	29.0 - 41.0	0.2 - 2.0	55	55	88.0	10	ADE4M502NPN	ADE4N1502NPN
ADE4	50	M50	1 1/2"	N150	3	29.0 - 41.0	35.0 - 48.0	0.2 - 2.5	64	64	97.0	11	ADE4M503NPN	ADE4N1503NPN
ADE4	63	M63	2"	N200	2	35.0 - 48.0	42.0 - 56.0	0.2 - 2.5	72	72	102.0	12	ADE4M632NPN	ADE4N2002NPN
ADE4	63	M63	2"	N200	3	42.0 - 53.0	50.0 - 65.0	0.2 - 2.5	85	85	117.0	13	ADE4M633NPN	ADE4N2003NPN
ADE4	75	M75	2 1/2"	N250	2	42.0 - 56.0	50.0 - 65.0	0.2 - 2.5	85	85	117.0	13	ADE4M752NPN	ADE4N2502NPN
ADE4	75	M75	2 1/2"	N250	3	50.0 - 62.5	58.0 - 74.0	0.2 - 2.5	95	95	124.0	14	ADE4M753NPN	ADE4N2503NPN
ADE4	90	M90	3"	N300	1	58.0 - 74.0	66.0 - 83.0	0.2 - 3.2	110	110	133.0	15	ADE4M901NPN	ADE4N3001NPN
ADE4	90	M90	3"	N300	2	66.0 - 78.0	75.0 - 93.0	0.2 - 3.2	120	120	140.0	16	ADE4M902NPN	ADE4N3002NPN
ADE4	-	-	3 1/2"	N350	2	66.0 - 78.0	75.0 - 93.0	0.2 - 3.2	120	120	140.0	16	-	ADE4N3502NPN
ADE4	90	M90	-	-	3	66.0 - 83.0	85.0 - 104.0	0.2 - 3.5	135	135	150.0	17	ADE4M903NPN	-
ADE4	110	M110	4"	N400	3	75.0 - 93.0	85.0 - 104.0	0.2 - 3.5	135	135	150.0	17	ADE4M1103NPN	ADE4N4003NPN

* Not UL certified. Above catalog numbers are for nickel-plated brass; refer to order code diagram for other options.
All dimensions in mm.

ADE-5F - for armoured cable

Hazardous area cable glands



Suitable for the following cable types:

- Steel wire armoured cable (SWA)
- Steel wire braided cable (SVWB)
- Steel tape armoured cable (STA)
- Braided marine shipboard cable; Type P cable
- Lead sheathed cable (with addition of earthing washer)

With inspectable clamping for wire or braid

Double seal provides 100% of cable clamping, including braided cables.

Certifications and compliances

• ATEX No. INERIS 12ATEX0032X

Zones 1 and 2, Groups I, IIA, IIB and IIC
Zones 21 and 22, Groups IIIA, IIIB and IIIC

⚡ II2GD / Ex db IIC / Ex eb IIC / Ex tb IIIC

⚡ II3G Ex nRc IIC

⚡ IM2 / Ex db I / Ex eb I ; for mining applications

Brass or bronze size 8 to 17; NPT 3/4" to 4", ISO 25 to 110

Stainless steel size 4 to 17; NPT 3/8" to 4", ISO 16 to 110

• IECEx No. IECEx INE 12.0025X

Zones 1 and 2, Groups I, IIA, IIB and IIC

Zones 21 and 22, Groups IIIA, IIIB and IIIC

Ex db IIC / Ex eb IIC / Ex nRc IIC / Ex tb IIIC

Ex db I / Ex eb I ; for mining applications

Brass or bronze size 8 to 17; NPT 3/4" to 4", ISO 25 to 110

Stainless steel size 4 to 17; NPT 3/8" to 4", ISO 16 to 110

• UL: 3DJN E310130 Class I Zone 2*, AEx e II, Ex e II

⚡ ADE size 4 to 17, NPT 1/2" to 4" or ISO 20 to 110 with armoured cable
ITC, MV, PLTC, TC-ER, TC-ER-HL, TC

• UL: 3LRC E314047 Class I Zone 2*, AEx e II, Ex e II

⚡ ADE size 4 to 17, NPT 1/2" to 4" or ISO 20 to 110 with armoured marine cable

* Can be used in Div.2 provided that the enclosure contains no components that produce arcs or sparks.



Other certificates:

CEPEL 05.0559X

CCoE P360379-1

KOSHA 2015-BO-0483 to 0490

NANIO TC-RU C-FR.ГБ05.В.00858

NEPSI GYJ13.1082X

SABS MS/15-0314X

Shipping applications:

ABS 14-HS1274083-PDA

BV 40910/A0 BV

DNV TAE000010X

Lloyds 11/00072

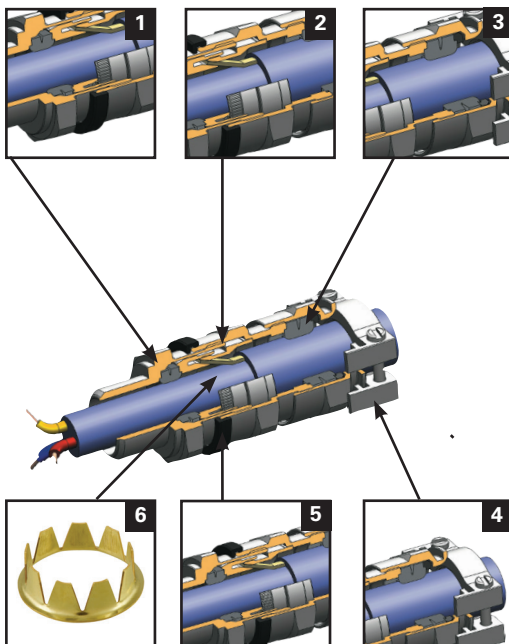
DTS-01:1991

Technical specification

- Nickel-plated brass for superior corrosion resistance. 316L stainless steel, bronze and aluminum options available. It is recommended that a suitable lubricant is used on all threads of stainless steel and aluminum versions.
- Temperature range: -60 °C to +140 °C
- IP66 / IP68 according to the method of attachment and the condition of the equipment area, see page 2.5

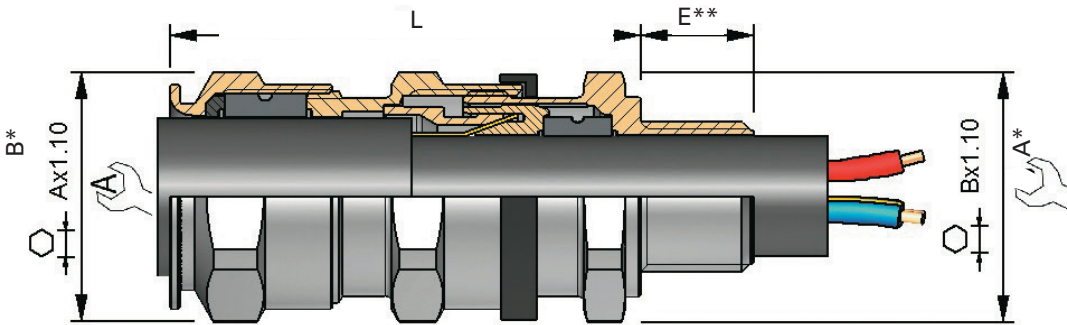
Features and benefits

- 1: Specifically formulated elastomer for flame path sealing on inner sheath of cable
- 2: Anti-rotation feature providing simplified inspectability of armour clamping and grounding system
- 3: Specifically formulated elastomer for IP sealing on outer sheath of cable
- 4: Additional external cable clamping for strain relief (optional)
- 5: Additional deluge seal available for ADE-5F gland sizes No.12 to No.17
- 6: Suitable for lead sheath cable with installation of simple washer (optional)



ADE-5F - for armoured cable

Hazardous area cable glands



* For 'across corners' dimensions, multiply 'across flats' dimensions by 1.1
 **For 'E' see thread dimension page 5.18

SERIES	THREAD SIZE	CABLE SEALING RANGE	MATERIAL	OPTION
ADE5	M25	3	NPN	

- 0 = XS
- 1 = S
- 2 = M
- 3 = L

CODES	
K1	Accessories kit 1
K2	Accessories kit 2
K3	Accessories kit 3
BLANK	No option
NPN	Nickel-plated brass
SSN	Stainless steel
BZN	Bronze
ALN	Aluminum (not Group I)

KIT OPTIONS	
K1	Kit 1 contents: <ul style="list-style-type: none"> • Locknut • Green composite washer
K2	Kit 2 contents: <ul style="list-style-type: none"> • Locknut • Green composite washer • Earth tag • Shroud
K3	Kit 3 contents: <ul style="list-style-type: none"> • Locknut • Green composite washer • Earth tag • Serrated washer

When the "DTS" prefix is specified before the "K" of the kit option, a deluge ring will be included. The deluge rings are available for sizes 12-17 only. (Ex: ADE5N2003NPN DTSK1)

Ordering codes

SERIES	THREAD SIZE (ISO)	THREAD SIZE CODE (ISO)	THREAD SIZE (NPT)	THREAD SIZE CODE (NPT)	CABLE SEALING RANGE	INNER SHEATH MIN - MAX	OUTER SHEATH MIN - MAX	ARMOUR MIN - MAX	A	B	L	ADE GLAND SIZE	CATALOG NUMBER (ISO)	CATALOG NUMBER (NPT)
ADE5	12*	M12	1/4**	N025	3	4.5 - 8.0	7.0 - 12.0	0.2 - 0.9	19	19	55.0	5	ADE5M123NPN	ADE5N0253NPN
ADE5	16*	M16	3/8**	N038	2	4.5 - 8.0	7.0 - 12.0	0.2 - 0.9	19	19	55.0	5	ADE5M162NPN	ADE5N0382NPN
ADE5	16*	M16	3/8**	N038	3	7.0 - 12.0	10.0 - 16.0	0.2 - 1.2	24	24	57.0	6	ADE5M163NPN	ADE5N0383NPN
ADE5	20	M20	1/2"	N050	1	4.5 - 8.0	7.0 - 12.0	0.2 - 0.9	19	24	55.0	5	ADE5M201NPN	ADE5N0501NPN
ADE5	20	M20	1/2"	N050	2	7.0 - 12.0	10.0 - 16.0	0.2 - 1.2	24	24	57.0	6	ADE5M202NPN	ADE5N0502NPN
ADE5	20	M20	1/2"	N050	3	10.0 - 15.5	13.5 - 21.0	0.2 - 1.2	30	30	64.0	7	ADE5M203NPN	ADE5N0503NPN
ADE5	25	M25	3/4"	N075	1	7.0 - 12.0	10.0 - 16.0	0.2 - 1.2	24	30	57.0	6	ADE5M251NPN	ADE5N0751NPN
ADE5	25	M25	3/4"	N075	2	10.0 - 15.5	13.5 - 21.0	0.2 - 1.2	30	30	64.0	7	ADE5M252NPN	ADE5N0752NPN
ADE5	25	M25	3/4"	N075	3	13.5 - 20.5	18.0 - 27.5	0.2 - 1.6	41	41	75.0	8	ADE5M253NPN	ADE5N0753NPN
ADE5	32	M32	1"	N100	2	13.5 - 20.5	18.0 - 27.5	0.2 - 1.6	41	41	75.0	8	ADE5M322NPN	ADE5N1002NPN
ADE5	32	M32	1"	N100	3	18.0 - 26.0	23.0 - 34.0	0.2 - 1.6	48	48	83.0	9	ADE5M323NPN	ADE5N1003NPN
ADE5	40	M40	1 1/4"	N125	2	18.0 - 27.5	23.0 - 34.0	0.2 - 1.6	48	48	83.0	9	ADE5M402NPN	ADE5N1252NPN
ADE5	40	M40	1 1/4"	N125	3	23.0 - 34.0	29.0 - 41.0	0.2 - 2.0	55	55	90.0	10	ADE5M403NPN	ADE5N1253NPN
ADE5	50	M50	1 1/2"	N150	2	23.0 - 34.0	29.0 - 41.0	0.2 - 2.0	55	55	90.0	10	ADE5M502NPN	ADE5N1502NPN
ADE5	50	M50	1 1/2"	N150	3	29.0 - 41.0	35.0 - 48.0	0.2 - 2.5	64	64	99.0	11	ADE5M503NPN	ADE5N1503NPN
ADE5	63	M63	2"	N200	2	35.0 - 48.0	42.0 - 56.0	0.2 - 2.5	72	72	108.0	12	ADE5M632NPN	ADE5N2002NPN
ADE5	63	M63	2"	N200	3	42.0 - 53.0	50.0 - 65.0	0.2 - 2.5	85	85	120.0	13	ADE5M633NPN	ADE5N2003NPN
ADE5	75	M75	2 1/2"	N250	2	42.0 - 56.0	50.0 - 65.0	0.2 - 2.5	85	85	120.0	13	ADE5M752NPN	ADE5N2502NPN
ADE5	75	M75	2 1/2"	N250	3	50.0 - 62.5	58.0 - 74.0	0.2 - 2.5	95	95	128.0	14	ADE5M753NPN	ADE5N2503NPN
ADE5	90	M90	3"	N300	2	58.0 - 74.0	66.0 - 83.0	0.2 - 3.1	110	110	150.0	15	ADE5M902NPN	ADE5N3002NPN
ADE5	90	M90	3"	N300	3	66.0 - 78.0	75.0 - 93.0	0.2 - 3.1	120	120	160.0	16	ADE5M903NPN	ADE5N3003NPN
ADE5	110	M110	4"	N400	3	75.0 - 93.0	85.0 - 104.0	0.2 - 3.5	135	135	172.0	17	ADE5M1103NPN	ADE5N4003NPN

* Not UL certified. Above catalog numbers are for nickel-plated brass; refer to order code diagram for other options.

ADE-6F - for armoured cable

Hazardous area cable glands



Suitable for the following cable types:

- Steel wire armoured cable (SWA)
- Steel wire braided cable (SWB)
- Steel tape armoured cable (STA)
- Braided marine shipboard cable; Type P cable

With inspectable clamping for wire or braid.

Ensures 100% clamping of the armour of armoured cables. With braided cables the user must provide additional clamping, we recommend using the certified ADE clamping module (page 2.29).

Certifications and compliances

• ATEX No. INERIS 12ATEX0032X

- Zones 1 and 2, Groups IIA, IIB and IIC
- Zones 21 and 22, Groups IIIA, IIIB and IIIC
- ⊕ II2GD / Ex db IIC / Ex eb IIC / Ex tb IIIC
- ⊕ II3G Ex nRc IIC

• IECEx No. IECEx INE 12.0025X

- Zones 1 and 2, Groups IIA, IIB and IIC
- Zones 21 and 22, Groups IIIA, IIIB and IIIC
- Ex db IIC / Ex eb IIC / Ex nRc IIC / Ex tb IIIC

• UL: 3DJN E310130 Class I Zone 2*, AEx e II, Ex e II

- UL: ADE size 4 to 17, NPT 1/2" to 4" or ISO 20 to 110 with armoured cable ITC, MV, PLTC, TC-ER, TC-ER-HL, TC

• UL: 3LRC E314047 Class I Zone 2*, AEx e II, Ex e II

- UL: ADE size 4 to 17, NPT 1/2" to 4" or ISO 20 to 110 with armoured marine cable

* Can be used in Div.2 provided that the enclosure contains no components that produce arcs or sparks.



Other certificates:

CEPEL 05.0559X
 CCoE P360379-1
 KOSHA 2015-BO-0483 to 0490
 NANIO TC-RU C-FR.ГБ05.В.00858
 NEPSI GYJ13.1082X
 SABS MS/15-0314X

Shipping applications:

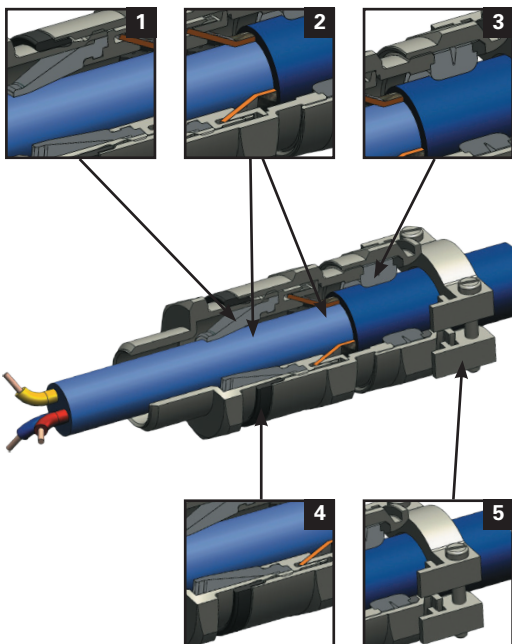
ABS 14-HS1274083-PDA
 BV 40910/A0 BV
 DNV TAE000010X
 Lloyds 11/00072
 DTS-01:1991

Technical specification

- Nickel-plated brass for superior corrosion resistance. 316L stainless steel, bronze and aluminum options available. It is recommended that a suitable lubricant is used on all threads of stainless steel and aluminum versions
- Temperature range: -60 °C to +80 °C
- IP66 / IP68 according to the method of attachment and the condition of the equipment area, see page 2.5
- Equipped with 'deluge' seal

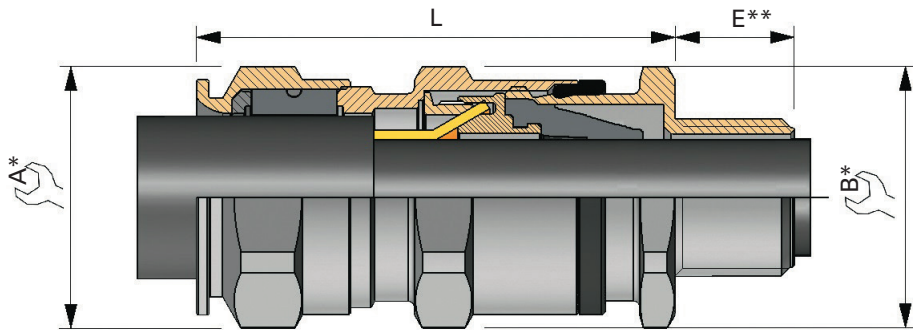
Features and benefits

- 1: Specifically formulated diaphragm seal offers cold flow protection when required and sealing on cable inner sheath
- 2: Universal clamping design for earthing and bonding of armour shield. Provides mechanical strength and is suitable for all armour shield types, with no requirement to reverse components that may introduce risk of incorrect installation. Fully inspectable
- 3: Specifically formulated elastomer for IP sealing on outer sheath of cable
- 4: Deluge performance to avoid water ingress through the thread
- 5: Additional external cable clamping for strain relief (optional)



ADE-6F - for armoured cable

Hazardous area cable glands



* For 'across corners' dimensions, multiply 'across flats' dimensions by 1.1

** For 'E' see thread dimension page 5.18

SERIES	THREAD SIZE	CABLE SEALING RANGE	MATERIAL	OPTION
ADE6	M25	3	NPN	

0 = XS
1 = S
2 = M
3 = L

CODES

K1	Accessories kit 1
K2	Accessories kit 2
K3	Accessories kit 3
BLANK	No option

NPS	Nickel-plated brass
SSS	Stainless steel
BZS	Bronze
ALS	Aluminum (not Group I)

KIT OPTIONS

K1	Kit 1 contents: • Locknut • Green composite washer
K2	Kit 2 contents: • Locknut • Green composite washer • Earth tag • Shroud
K3	Kit 3 contents: • Locknut • Green composite washer • Earth tag • Serrated washer

Ordering codes

SERIES	THREAD SIZE (ISO)	THREAD SIZE CODE (ISO)	THREAD SIZE (NPT)	THREAD SIZE CODE (NPT)	CABLE SEALING RANGE	CABLE SEALING RANGE			A	B	L	ADE GLAND SIZE	CATALOG NUMBER (ISO)	CATALOG NUMBER (NPT)
						INNER SHEATH MIN - MAX	OUTER SHEATH MIN - MAX	ARMOUR MIN - MAX						
ADE6	16*	M16	3/8**	N038	3	3.5 - 7.0	7.0 - 12.0	0.2 - 0.9	19	19	47.5	5	ADE6M163NPS	ADE6N0383NPS
ADE6	20	M20	1/2"	N050	1	3.5 - 7.0	7.0 - 12.0	0.2 - 0.9	19	19	47.5	5	ADE6M201NPS	ADE6N0501NPS
ADE6	20	M20	1/2"	N050	2	6.5 - 11.0	10.0 - 16.0	0.2 - 1.3	24	24	54.5	6	ADE6M202NPS	ADE6N0502NPS
ADE6	20	M20	1/2"	N050	3	9.0 - 14.5	13.5 - 21.0	0.2 - 1.3	30	30	60.5	7	ADE6M203NPS	ADE6N0503NPS
ADE6	25	M25	3/4"	N075	2	9.0 - 14.5	13.5 - 21.0	0.2 - 1.3	30	30	60.5	7	ADE6M252NPS	ADE6N0752NPS
ADE6	25	M25	3/4"	N075	3	12.0 - 19.5	18.0 - 27.5	0.2 - 1.6	41	41	74.0	8	ADE6M253NPS	ADE6N0753NPS
ADE6	32	M32	1"	N100	2	12.0 - 19.5	18.0 - 27.5	0.2 - 1.6	41	41	74.0	8	ADE6M322NPS	ADE6N1002NPS
ADE6	32	M32	1"	N100	3	17.5 - 26.0	23.0 - 34.0	0.2 - 1.6	48	48	83.0	9	ADE6M323NPS	ADE6N1003NPS
ADE6	40	M40	1 1/4"	N125	2	17.5 - 26.0	23.0 - 34.0	0.2 - 1.6	48	48	83.0	9	ADE6M402NPS	ADE6N1252NPS
ADE6	40	M40	1 1/4"	N125	3	23.0 - 33.0	29.0 - 41.0	0.2 - 2.0	55	55	92.0	10	ADE6M403NPS	ADE6N1253NPS
ADE6	50	M50	1 1/2"	N150	2	23.0 - 33.0	29.0 - 41.0	0.2 - 2.0	55	55	92.0	10	ADE6M502NPS	ADE6N1502NPS
ADE6	50	M50	2"	N200	3	28.5 - 41.0	35.0 - 48.0	0.2 - 2.5	64	64	104.0	11	ADE6M503NPS	ADE6N2003NPS

* Not UL certified. Above catalog numbers are for nickel-plated brass; refer to order code diagram for other options.

ADE-6FC - for armoured cable

Hazardous area cable glands



Suitable for the following cable types:

- Steel wire armoured cable (SWA)
- Steel wire braided cable (SWB)
- Steel tape armoured cable (STA)
- Braided marine shipboard cable; Type P cable

With inspectable clamping for wire or braid
Sealing ring and TSC compound provides 100% of cable clamping.

Certifications and compliances

• ATEX No. INERIS 12ATEX0032X

Zones 1 and 2, Groups I, IIA, IIB and IIC
Zones 21 and 22, Groups IIIA, IIIB and IIIC

⊕ II2GD / Ex db IIC / Ex eb IIC / Ex tb IIIC

⊕ II3G Ex nRc IIC

⊕ IM2 / Ex db I / Ex eb I ; for mining applications

Brass, stainless steel or bronze size 11 to 17; NPT 2" to 4", ISO 50 to 110

• IECEx No. IECEx INE 12.0025X

Zones 1 and 2, Groups I, IIA, IIB and IIC
Zones 21 and 22, Groups IIIA, IIIB and IIIC

Ex db IIC / Ex eb IIC / Ex nRc IIC / Ex tb IIIC

Ex db I / Ex eb I ; for mining applications

Brass, stainless steel or bronze size 11 to 17; NPT 2" to 4", ISO 50 to 110

• UL: 3DJN E310130 Class I Zone 2, AEx de II, Ex de II

Ⓛ ADE size 5 to 17, NPT 1/2" to 4" or ISO 20 to 110 with armoured cable
ITC, MV, PLTC, TC-ER, TC-ER-HL, TC and compound TSC

• UL: 3DJN E310130 Class I Division 1, Groups A, B, C and D

Ⓛ ADE size 5 to 9, NPT 1/2" to 1 1/4" or ISO 20 to 40 with armoured cable
TC-ER-HL and compound TSC

Ⓛ ADE size 5 to 17, NPT 1/2" to 4" or ISO 20 to 110 with armoured cable
ITC-HL and compound TSC

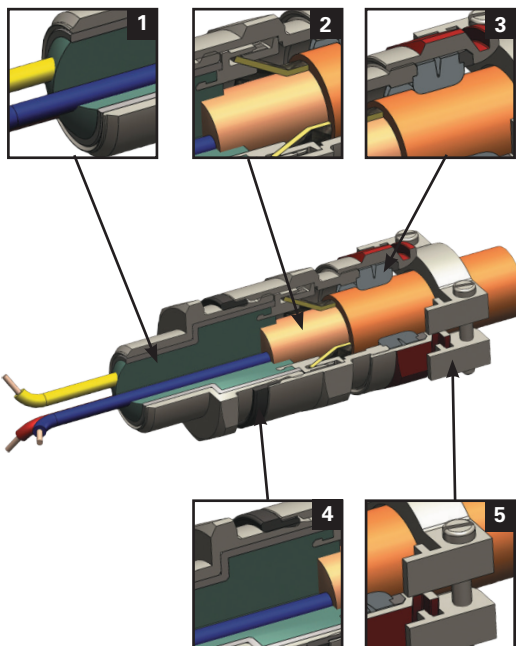
• UL: 3DJN E310130 Class I Division 2, Groups A, B, C and D

Ⓛ ADE size 5 to 17, NPT 1/2" to 4" or ISO 20 to 110 with armoured cable
PLTC, PLTC-ER, ITC, ITC-ER, ITC-HL, TC, TC-ER, TC-ER-HL, MV and compound TSC

• UL: 4EC5 E324850 Class I Division 1, Groups A, B, C and D

Ⓛ ADE size 5 to 17, NPT 1/2" to 4" or ISO 20 to 110 with armoured marine cable
and compound TSC

* Can be used in Div.2 provided that the enclosure contains no components that produce arcs or sparks.



Other certificates:

CEPEL 05.0559X

CCoE P360379-1

KOSHA 2015-BO-0491 to 0494

NANIO TC-RU C-FR.ГБ05.В.00858

NEPSI GYJ13.1082X

SABS MS/15-0314X

Shipping applications:

ABS 14-HS1274083-PDA

BV 40910/A0 BV

DNV TAE000010X

Lloyds 11/00072

DTS-01:1991

Technical specification

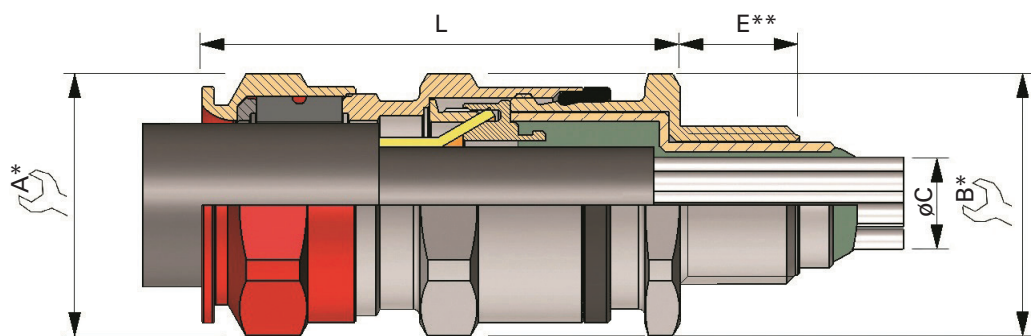
- Nickel-plated brass for superior corrosion resistance. 316L stainless steel, bronze and aluminum options available. It is recommended that a suitable lubricant is used on all threads of stainless steel and aluminum versions
- Temperature range:
-60 °C to +80 °C
- IP66 / IP68 according to the method of attachment and the condition of the equipment area, see page 2.5
- Equipped with 'deluge' seal

Features and benefits

- 1: Sealing of cable conductors with compound barrier seal
- 2: Universal clamping design for earthing and bonding of armour shield. Provides mechanical strength and is suitable for all armour shield types, with no requirement to reverse components that may introduce risk of incorrect installation. Fully inspectable
- 3: Specifically formulated elastomer for IP sealing on outer sheath of cable
- 4: Deluge performance to avoid water ingress through the thread
- 5: Additional external cable clamping for strain relief (optional)

ADE-6FC - for armoured cable

Hazardous area cable glands



* For 'across corners' dimensions, multiply 'across flats' dimensions by 1.1

** For 'E' see thread dimension page 5.18

SERIES	THREAD SIZE	CABLE SEALING RANGE	MATERIAL	BARRIER	OPTION
ADE6C	M25	3	NP	SCN	

0 = XS
1 = S
2 = M
3 = L

CODES

K1	Accessories kit 1
K2	Accessories kit 2
K3	Accessories kit 3
BLANK	No option

SCN	Solid compound
NP	Nickel-plated brass
SS	Stainless steel
BZ	Bronze

KIT OPTIONS

K1	Kit 1 contents: • Locknut • Green composite washer
K2	Kit 2 contents: • Locknut • Green composite washer • Earth tag • Shroud
K3	Kit 3 contents: • Locknut • Green composite washer • Earth tag • Serrated washer

Ordering codes

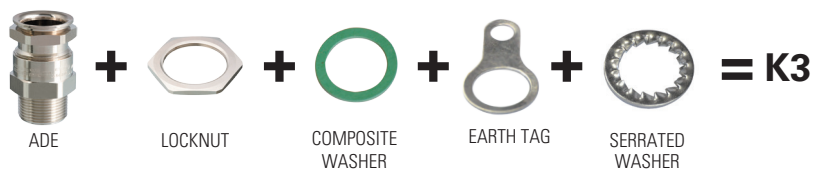
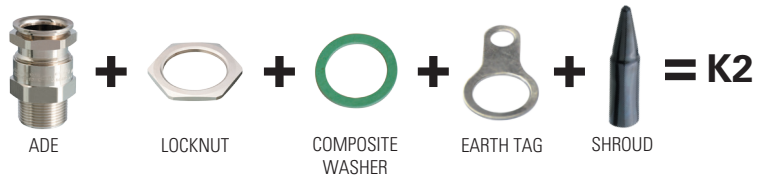
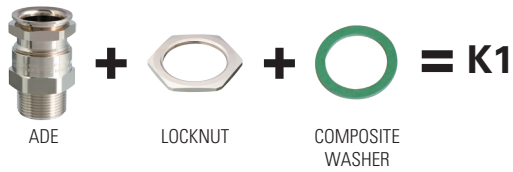
SERIES	THREAD SIZE (ISO)	THREAD SIZE CODE (ISO)	THREAD SIZE (NPT)	THREAD SIZE CODE (NPT)	CABLE SEALING RANGE	OUTER SHEATH MIN - MAX	CONDUCTORS		MAX No. CORES	MAX ARMOUR THICKNESS A	B	L	ADE GLAND SIZE	CATALOG NUMBER (ISO)	CATALOG NUMBER (NPT)	
							C=ø MAX OVER CORES	ø MAX INNER SHEATH								
ADE6C	16*	M16	3/8**	N038	3	6.0 - 12.0	6.5	8.0	6	0.9	19	19	47.5	5	ADE6CM163NPSCN	ADE6CN0383NPSCN
ADE6C	20	M20	1/2"	N050	1	6.0 - 12.0	6.5	8.0	6	0.9	19	24	47.5	5	ADE6CM201NPSCN	ADE6CN0501NPSCN
ADE6C	20	M20	1/2"	N050	2	8.5 - 16.0	9.5	12.0	6	1.2	24	24	54.5	6	ADE6CM202NPSCN	ADE6CN0502NPSCN
ADE6C	20	M20	1/2"	N050	3	12.0 - 21.0	12.0	16.0	10	1.2	30	30	60.5	7	ADE6CM203NPSCN	ADE6CN0503NPSCN
ADE6C	25	M25	3/4"	N075	2	12.0 - 21.0	12.0	16.0	10	1.2	30	30	60.5	7	ADE6CM252NPSCN	ADE6CN0752NPSCN
ADE6C	25	M25	3/4"	N075	3	16.0 - 27.5	17.0	21.0	21	1.6	41	41	74.0	8	ADE6CM253NPSCN	ADE6CN0753NPSCN
ADE6C	32	M32	1"	N100	2	16.0 - 27.5	17.0	21.0	21	1.6	41	41	74.0	8	ADE6CM322NPSCN	ADE6CN1002NPSCN
ADE6C	32	M32	1"	N100	3	21.0 - 34.0	23.0	27.5	42	1.6	48	48	83.0	9	ADE6CM323NPSCN	ADE6CN1003NPSCN
ADE6C	40	M40	1 1/4"	N125	2	21.0 - 34.0	23.0	27.5	42	1.6	48	48	83.0	9	ADE6CM402NPSCN	ADE6CN1252NPSCN
ADE6C	40	M40	1 1/4"	N125	3	27.0 - 41.0	29.0	34.0	60	2.0	55	55	92.0	10	ADE6CM403NPSCN	ADE6CN1253NPSCN
ADE6C	50	M50	1 1/2"	N150	2	27.0 - 41.0	29.0	34.0	60	2.0	55	55	92.0	10	ADE6CM502NPSCN	ADE6CN1502NPSCN
ADE6C	50	M50	2"	N200	1	33.0 - 48.0	36.5	41.0	80	2.5	64	64	104.0	11	ADE6CM501NPSCN	ADE6CN2001NPSCN
ADE6C	63	M63	2"	N200	2	40.0 - 56.0	43.0	48.0	100	2.5	72	72	108.0	12	ADE6CM632NPSCN	ADE6CN2002NPSCN
ADE6C	63	M63	2"	N200	3	46.0 - 65.0	50.0	56.0	100	2.5	85	85	118.0	13	ADE6CM633NPSCN	ADE6CN2003NPSCN
ADE6C	75	M75	2 1/2"	N250	2	46.0 - 65.0	50.0	56.0	100	2.5	85	85	118.0	13	ADE6CM752NPSCN	ADE6CN2502NPSCN
ADE6C	75	M75	2 1/2"	N250	3	54.0 - 74.0	59.0	65.0	120	2.5	95	95	124.0	14	ADE6CM753NPSCN	ADE6CN2503NPSCN
ADE6C	-	-	3"	N300	1	54.0 - 74.0	59.0	65.0	120	2.5	95	95	124.0	14	-	ADE6CN3001NPSCN
ADE6C	90	M90	3"	N300	2	63.0 - 83.0	66.0	73.0	140	3.1	110	110	133.0	15	ADE6CM902NPSCN	ADE6CN3002NPSCN
ADE6C	-	-	3 1/2"	N350	2	63.0 - 83.0	66.0	73.0	140	3.1	110	110	133.0	15	-	ADE6CN3502NPSCN
ADE6C	90	M90	3"	N300	3	72.0 - 93.0	75.0	82.0	140	3.1	120	120	137.0	16	ADE6CM903NPSCN	ADE6CN3003NPSCN
ADE6C	-	-	3 1/2"	N350	3	72.0 - 93.0	75.0	82.0	140	3.1	120	120	137.0	16	-	ADE6CN3503NPSCN
ADE6C	110	M110	4"	N400	3	85.0 - 104.0	85.0	92.0	200	3.5	135	135	142.0	17	ADE6CM1103NPSCN	ADE6CN4003NPSCN

* Not UL certified. Above catalog numbers are for nickel-plated brass; refer to order code diagram for other options.

ADE cable gland kits

Hazardous area cable glands

ADE - CAP standard / DTS Kits

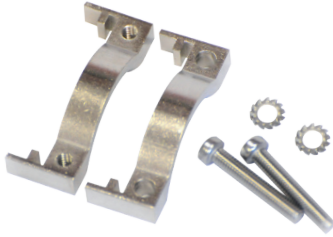


K1, K2 and K3 kits are available for all of the ADE range.

ADE-5F: Deluge seal kits (DTSK1, DTSK2, DTSK3) are suitable for ADE-5F glands sizes No.12 - No.17 only.

To order kits including deluge seal, add "DTS" to order code before the kit number; e.g. **ADE5M752NPNDTSK2**

ADE external clamping module - available with all ADE range



CABLE RANGE	SIZE	FOR HEXAGON	WIDTH	THICKNESS	CATALOG NUMBER
2.8 - 5.5	3	15	18.0	5.0	CAP810334
4.0 - 8.5	4	17	20.0	5.0	CAP810444
6.0 - 11.0	5	19	22.0	5.0	CAP810534
8.5 - 16.0	6	24	27.5	6.0	CAP810634
12.0 - 21.0	7	30	33.5	8.0	CAP810734
16.0 - 27.5	8	41	45.0	8.0	CAP810834
21.0 - 34.0	9	48	52.0	9.5	CAP810934
27.0 - 41.0	10	55	59.0	9.5	CAP811034
33.0 - 48.0	11	64	69.0	12.0	CAP811134
40.0 - 56.0	12	72	78.0	12.0	CAP811234
47.0 - 65.0	13	85	92.0	16.0	CAP811334
54.0 - 74.0	14	95	103.0	16.0	CAP811434
63.0 - 83.0	15	110	118.0	18.0	CAP811534
72.0 - 93.0	16	120	128.0	18.0	CAP811634

ADE clamping module – Material: nickel-plated brass and stainless steel washer and screws.

ADE-4F and 5F lead sheath washer



Ø OUTER LEAD SHEATH

GLAND SIZE	MIN	MAX	CATALOG NUMBER
5	4.5	7.5	CAP560530
6	7.0	11.0	CAP560630
7	10.0	15.0	CAP560730
8	13.5	20.0	CAP560830
9	18.0	26.5	CAP560930
10	23.0	32.5	CAP561030
11	29.0	39.5	CAP561130
12	35.0	46.5	CAP561230
13	42.0	54.5	CAP561330
14	50.0	61.0	CAP561430
15	58.0	72.5	CAP561530
16	66.0	81.5	CAP561630

ADE-4F/5F lead sheath washer – material: natural brass

ADE-5F deluge seal



SIZE	CATALOG NUMBER
12	CAP850012
13	CAP850013
14	CAP850014
15	CAP850015
16	CAP850016
17	CAP850017

HTL4 (high temperature thread lubricant)

FORMAT	CATALOG NUMBER
1 tube 120 ml	HTL4



HTL is a high temperature, anti-seize, conductive thread lubricant:

- Effective and stable from -55 °C to +980 °C (-70 °F to +1800 °F)
- Prevents seizure, galling, rust, galvanic action
- Maintains grounding continuity; should not be used on exposed current-carrying parts
- Compatible with all types of material

Solid compound TSC epoxy

FORMAT	ORDER UNIT	CATALOG NUMBER
10 tubes 15 ml (0.5 oz)	1 carton	TSC05
10 tubes 30 ml (1.0 oz)	1 carton	TSC1
5 tubes 120 ml (4.0 oz)	1 carton	TSC4

For use with ADE-1FC & 6FC cable glands



Mixing time: 5 minutes
 Application: by hand
 Full curing time: 24 hours
 Available for installation in any orientation

ADE accessories

Hazardous area cable glands

Green composite washers

THREAD SIZE (ISO)	D	E THICKNESS	ORDER UNIT	CATALOG NUMBER
10	15.0	1.2	20	CAP221045
12	18.0	1.2	20	CAP221245
16	22.0	1.2	20	CAP221645
20	27.0	1.2	20	CAP222045
25	35.0	1.5	20	CAP222545
32	43.0	1.5	10	CAP223245
40	55.0	1.5	10	CAP224045
50	69.0	1.5	1	CAP225045
63	82.0	2.0	1	CAP226345
75	94.0	2.0	1	CAP227545
90	110.0	2.0	1	CAP229045
110	130.0	2.0	1	CAP221145

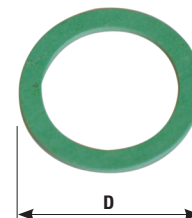
Temperature range: -60 °C to +140 °C.

Dimensions "D" subject to change

THREAD SIZE (NPT)	D	E THICKNESS	ORDER UNIT	CATALOG NUMBER
1/4"	18.0	1.5	20	CAP239014
3/8"	22.0	1.5	20	CAP239038
1/2"	31.0	1.5	20	CAP239012
3/4"	35.0	1.5	20	CAP239034
1"	43.0	1.5	20	CAP239010
1 1/4"	59.0	1.5	20	CAP239114
1 1/2"	69.0	1.5	10	CAP239112
2"	79.0	2.0	10	CAP239020
2 1/2"	94.0	2.0	1	CAP239212
3"	110.0	2.0	1	CAP239300
3 1/2"	119.0	2.0	1	CAP239312
4"	130.0	2.0	1	CAP239414

Temperature range: -60 °C to +140 °C.

Dimensions "D" subject to change



Black neoprene washers

THREAD SIZE (ISO)	D	E THICKNESS	ORDER UNIT	CATALOG NUMBER
10	15.0	1.2	20	CAP221049
12	18.0	1.2	20	CAP221249
16	22.0	1.2	20	CAP221649
20	24.0	1.2	20	CAP222049
25	30.0	1.5	20	CAP222549
32	42.0	1.5	10	CAP223249
40	52.0	1.5	10	CAP224049
50	63.0	1.5	1	CAP225049
63	77.0	2.0	1	CAP226349
75	90.0	2.0	1	CAP227549
90	106.0	2.0	1	CAP229049
110	126.0	2.0	1	CAP221149

Temperature range: -35 °C to +120 °C.

Dimensions "D" subject to change.

THREAD SIZE (NPT)	D	E THICKNESS	ORDER UNIT	CATALOG NUMBER
1/4"	20.0	1.5	20	CAP229014
3/8"	22.0	1.5	20	CAP229038
1/2"	27.0	1.5	20	CAP229012
3/4"	33.0	1.5	20	CAP229034
1"	41.0	1.5	20	CAP229010
1 1/4"	52.0	1.5	20	CAP229114
1 1/2"	57.0	1.5	10	CAP229112
2"	71.0	2.0	10	CAP229020
2 1/2"	85.0	2.0	1	CAP229212
3"	104.0	2.0	1	CAP229300
3 1/2"	120.0	2.0	1	CAP229312
4"	130.0	2.0	1	CAP229414

Temperature range: -35 °C to +120 °C.

Dimensions "D" subject to change.



Locknut - nickel-plated brass and stainless steel 316L

THREAD SIZE (ISO)	ORDER UNIT	NICKEL-PLATED BRASS CATALOG NUMBER	ORDER UNIT	STAINLESS STEEL 316L CATALOG NUMBER
12	20	CAP221294	1	CAP221299
16	20	CAP221694	1	CAP221699
20	20	CAP222094	1	CAP222099
25	20	CAP222594	1	CAP222599
32	10	CAP223294	1	CAP223299
40	10	CAP224094	1	CAP224099
50	1	CAP225094	1	CAP225099
63	1	CAP226394	1	CAP226399
75	1	CAP227594	1	CAP227599
90	1	CAP229094	1	CAP229099
110	1	CAP221104	1	CAP221109

THREAD SIZE (NPT)	ORDER UNIT	NICKEL-PLATED BRASS CATALOG NUMBER	ORDER UNIT	STAINLESS STEEL 316L CATALOG NUMBER
1/4"	20	CAP280104	1	CAP280109
3/8"	20	CAP280114	1	CAP280119
1/2"	20	CAP280124	1	CAP280129
3/4"	20	CAP280134	1	CAP280139
1"	20	CAP280144	1	CAP280149
1 1/4"	20	CAP280154	1	CAP280159
1 1/2"	20	CAP280164	1	CAP280169
2"	1	CAP280174	1	CAP280179
2 1/2"	1	CAP280184	1	CAP280189
3"	1	CAP280194	1	CAP280199
3 1/2"	1	CAP280204	1	CAP280209
4"	1	CAP280214	1	CAP280219

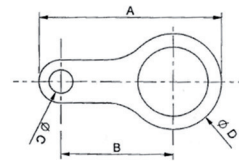


Earth tag - nickel-plated brass and stainless steel 316L (order unit = 1 pc)

THREAD SIZE (ISO)	A	B	C	D	NICKEL-PLATED BRASS CATALOG NUMBER	STAINLESS STEEL 316L CATALOG NUMBER
12	51.0	32.0	6.75	24.5	CAP567024	CAP567029
16	48.5	30.0	6.5	24.5	CAP567034	CAP567039
20	53.8	33.0	7.0	28.6	CAP567054	CAP567059
25	61.5	36.0	10.5	34.0	CAP567074	CAP567079
32	73.0	41.0	12.2	42.0	CAP567094	CAP567099
40	86.5	44.5	13.5	54.0	CAP567124	CAP567129
50	111.5	58.0	13.5	67.0	CAP567154	CAP567159
63	125.5	67.0	13.5	77.0	CAP567184	CAP567189
75	137.5	73.0	13.5	89.0	CAP567194	CAP567199
90	167.0	93.0	13.5	109.5	CAP567214	CAP567219
110	214.0	125.0	13.5	138.0	CAP567234	CAP567239



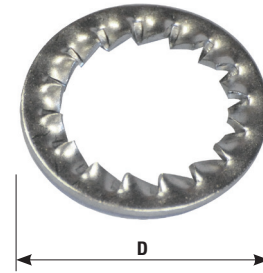
THREAD SIZE (NPT)	A	B	C	D	NICKEL-PLATED BRASS CATALOG NUMBER	STAINLESS STEEL 316L CATALOG NUMBER
1/4"	48.8	30.0	6.75	24.5	CAP567034	CAP567039
3/8"	50.5	30.0	6.75	25.4	CAP567044	CAP567049
1/2"	53.8	33.0	7.0	28.6	CAP567064	CAP567069
3/4"	61.5	36.0	10.5	34.0	CAP567084	CAP567089
1"	73.0	41.0	12.2	42.0	CAP567104	CAP567109
1 1/4"	86.5	44.5	13.5	54.0	CAP567134	CAP567139
1 1/2"	112.0	58.0	13.5	67.0	CAP567154	CAP567159
2"	126.0	67.0	13.5	77.0	CAP567174	CAP567179
2 1/2"	138.0	73.0	13.5	89.0	CAP567194	CAP567199
3"	161.0	85.0	13.5	114.0	CAP567214	CAP567219
3 1/2"	190.0	103.0	13.5	125.0	CAP567224	CAP567229
4"	210.0	117.8	13.5	140.0	CAP567244	CAP567249



Serrated washer - stainless steel

THREAD SIZE (ISO)	D	ORDER UNIT	STAINLESS STEEL CATALOG NUMBER
12	20.5	1	CAP280019
16	25.5	20	CAP280069
20	32.5	20	CAP280029
25	39.5	20	CAP280259
32	49.5	20	CAP280329
40	64.5	1	CAP280409
50	80.5	1	CAP280509
63	100.0	1	CAP280639
75	112.0	1	CAP280759
90	123.0	1	CAP280099

THREAD SIZE (NPT)	D	ORDER UNIT	STAINLESS STEEL CATALOG NUMBER
1/4"	24.0	1	CAP290109
3/8"	32.0	1	CAP290119
1/2"	38.0	1	CAP290129
3/4"	41.0	1	CAP290139
1"	49.0	1	CAP290149
1 1/4"	58.0	1	CAP290159
1 1/2"	70.0	1	CAP290169
2"	86.0	1	CAP290179
2 1/2"	100.0	1	CAP290189
3"	120.0	1	CAP290199



Shroud - PVC

ADE SIZE	DIAMETER A	ORDER UNIT	PVC CATALOG NUMBER
3	16.0	1	CAP506030
4	18.0	1	CAP506044
5	20.0	10	CAP506050
6	25.0	10	CAP506060
7	31.0	10	CAP506070
8	43.0	10	CAP506080
9	52.0	10	CAP506090
10	59.0	1	CAP506100
11	67.0	1	CAP506110
12	75.0	1	CAP506120
13	90.0	1	CAP506130
14	100.0	1	CAP506140
15	116.0	1	CAP506150
16	127.0	1	CAP506160
17	144.0	1	CAP506170





Suitable for the following cable types:

- Non-armoured cable
- Braided cable (EMC applications)

Provides 25% of cable clamping, an external clamp is required to ensure that pulling and twisting does not affect the terminations.

Certifications and compliances

• ATEX No. INERIS 13ATEX0008X

- Zones 1 and 2, Group IIC
- Zones 21 and 22, Group IIIC
- II2GD / Ex eb IIC / Ex tb IIIC
- II3G Ex nRc IIC

• IECEx No. IECEx INE 13.0003X

- Zones 1 and 2, Group IIC
- Zones 21 and 22, Group IIIC
- Ex eb IIC / Ex nRc IIC / Ex tb IIIC

Shipping applications:

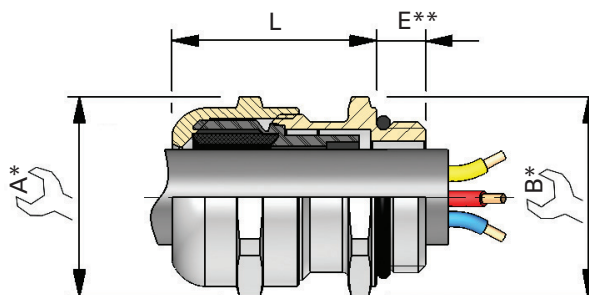
BV: 40910/A0 BV

DTS-01:1991



Technical specification

- Material: nickel-plated brass and stainless steel 316L
(It is recommended that a suitable lubricant is used on all threads of stainless steel versions)
- Ensures the electrical continuity of the braided armour (EMC application)
- Temperature range: -20 °C to +80 °C
- IP66 / IP68 tested 30m/7days on surface Ra 1.6µm max.



* For 'across corners' dimensions, multiply 'across flats' dimensions by 1.1

** For 'E' see thread dimension page 5.18

Ordering codes

THREAD SIZE (ISO)	BRAID THICKNESS	CABLE DIAMETER MIN - MAX	A	B	L	NEWCAP SIZE	NICKEL-PLATED BRASS CATALOG NUMBER	NICKEL-PLATED BRASS ¹⁾ LOCKNUT	STAINLESS STEEL 316L* CATALOG NUMBER	STAINLESS STEEL 316L ¹⁾ LOCKNUT
12	0.70	4.0 - 6.5	15	15	18.0	4	CAP192124V1	CAP221294	CAP192129V1	CAP221299
16	0.70	4.0 - 6.5	15	18	18.0	4	CAP192154V1	CAP221694	CAP192159V1	CAP221699
16	0.70	5.5 - 10.0	20	20	24.0	5	CAP192164V1	CAP221694	CAP192169V1	CAP221699
20	0.70	5.5 - 10.0	20	22	24.0	5	CAP192194V1	CAP222094	CAP192199V1	CAP222099
20	0.80	7.5 - 13.0	24	24	27.0	6	CAP192204V1	CAP222094	CAP192209V1	CAP222099
25	0.80	7.5 - 13.0	24	27	27.0	6	CAP192244V1	CAP222594	CAP192249V1	CAP222599
25	0.85	11.5 - 18.0	30	30	28.0	7	CAP192254V1	CAP222594	CAP192259V1	CAP222599
32	0.85	11.5 - 18.0	30	34	28.0	7	CAP192314V1	CAP223294	CAP192319V1	CAP223299
32	0.95	17.5 - 24.5	38	38	30.0	8	CAP192324V1	CAP223294	CAP192329V1	CAP223299
40	0.95	17.5 - 24.5	38	43	30.0	8	CAP192394V1	CAP224094	CAP192399V1	CAP224099
40	1.00	24.0 - 32.0	47	47	33.0	9	CAP192404V1	CAP224094	CAP192409V1	CAP224099
50	1.00	24.0 - 32.0	47	54	33.0	9	CAP192494V1	CAP225094	CAP192499V1	CAP225099
50	1.15	31.0 - 40.5	57	57	37.0	10	CAP192504V1	CAP225094	CAP192509V1	CAP225099
63	1.15	31.0 - 40.5	57	68	37.0	10	CAP192624V1	CAP226394	CAP192629V1	CAP226399
63	1.75	39.0 - 53.0	75	75	48.0	11	CAP192634V1	CAP226394	CAP192639V1	CAP226399

* Stainless steel 316L with long (15 mm) thread

¹⁾ Order unit for locknuts, see page 3.28



NEWCAP CT-e

Hazardous area cable glands



Suitable for the following cable types:

- Non-armoured cable
- Braided cable (EMC applications)

Provides 25% of cable clamping, an external clamp is required to ensure that pulling and twisting does not affect the terminations.

Certifications and compliances

• ATEX No. INERIS 13ATEX0008X

- Zones 1 and 2, Group IIC
- Zones 21 and 22, Group IIIC
- ⊕ II2GD / Ex eb IIC / Ex tb IIIC
- ⊕ II3G Ex nRc IIC

• IECEx No. IECEx INE 13.0003X

- Zones 1 and 2, Group IIC
- Zones 21 and 22, Group IIIC
- Ex eb IIC / Ex nRc IIC / Ex tb IIIC

Shipping applications:

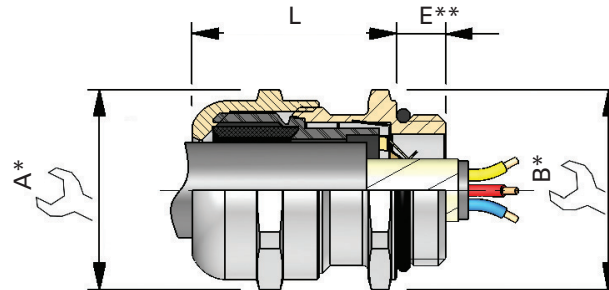
BV: 40910/A0 BV

DTS-01:1991



Technical specification

- Material: nickel-plated brass and stainless steel 316L
(It is recommended that a suitable lubricant is used on all threads of stainless steel versions)
- Ensures the electrical continuity of the braided armour (EMC application) without any interruption of the armour
- Temperature range: -20 °C to +80 °C
- IP66 / IP68 tested 30m/7days on surface Ra 1.6µm max.



* For 'across corners' dimensions, multiply 'across flats' dimensions by 1.1

** For 'E' see thread dimension page 5.18

Ordering codes

THREAD SIZE (ISO)	BRAID THICKNESS	DIAMETER ON SHIELD	CABLE DIAMETER MIN - MAX	A	B	L	NEWCAP SIZE	NICKEL-PLATED BRASS CATALOG NUMBER	NICKEL-PLATED BRASS ¹⁾ LOCKNUT	STAINLESS STEEL 316L* CATALOG NUMBER	STAINLESS STEEL 316L ¹⁾ LOCKNUT
12	0.70	3.0	4.0 - 6.5	15	15	18.0	4	CAP193124V1	CAP221294	CAP193129V1	CAP221299
16	0.70	3.0	4.0 - 6.5	15	18	18.0	4	CAP193154V1	CAP221694	CAP193159V1	CAP221699
16	0.70	4.5	5.5 - 10.0	20	20	24.0	5	CAP193164V1	CAP221694	CAP193169V1	CAP221699
20	0.70	4.5	5.5 - 10.0	20	22	24.0	5	CAP193194V1	CAP222094	CAP193199V1	CAP222099
20	0.80	6.0	7.5 - 13.0	24	24	27.0	6	CAP193204V1	CAP222094	CAP193209V1	CAP222099
25	0.80	6.0	7.5 - 13.0	24	27	27.0	6	CAP193244V1	CAP222594	CAP193249V1	CAP222599
25	0.85	10.0	11.5 - 18.0	30	30	28.0	7	CAP193254V1	CAP222594	CAP193259V1	CAP222599
32	0.85	10.0	11.5 - 18.0	30	34	28.0	7	CAP193314V1	CAP223294	CAP193319V1	CAP223299
32	0.95	15.0	17.5 - 24.5	38	38	30.0	8	CAP193324V1	CAP223294	CAP193329V1	CAP223299
40	0.95	15.0	17.5 - 24.5	38	43	30.0	8	CAP193394V1	CAP224094	CAP193399V1	CAP224099
40	1.00	20.5	24.0 - 32.0	47	47	33.0	9	CAP193404V1	CAP224094	CAP193409V1	CAP224099
50	1.00	20.5	24.0 - 32.0	47	54	33.0	9	CAP193494V1	CAP225094	CAP193499V1	CAP225099
50	1.15	27.5	31.0 - 40.5	57	57	37.0	10	CAP193504V1	CAP225094	CAP193509V1	CAP225099
63	1.15	27.5	31.0 - 40.5	57	68	37.0	10	CAP193624V1	CAP226394	CAP193629V1	CAP226399
63	1.75	34.5	39.0 - 53.0	75	75	48.0	11	CAP193634V1	CAP226394	CAP193639V1	CAP226399

* Stainless steel 316L with long (15 mm) thread

¹⁾ Order unit for locknuts, see page 3.28

All dimensions in mm.

CEAG GHG Ex e black

Hazardous area cable glands



Suitable for the following cable types:

- Non-armoured cable
- Fixed equipment where cables are not subjected to traction or vibration

Certifications and marquages

• ATEX No. PTB 14 ATEX 1015 X

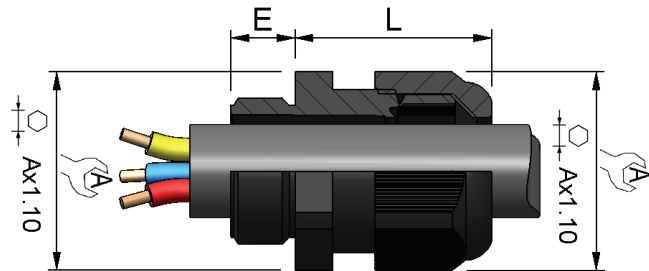
- II 2G - Ex e IIC Gb
- II 2D - Ex tb IIIC Db

• IECEx No. IECEx PTB 14.0027X

- Ex eb IIC Gb
- Ex eb IIC Db

Technical specification

- Material: polyamide
- Temperature range:
 - 20 °C to +70 °C (M12 to M32)
 - 55 °C to +70 °C (M40 to M63)
- Large cable connection area
- Low torque required for tightening
- Integrated sealing lip on thread
- Locknut available separately: see page ???



Ordering codes

THREAD SIZE (ISO)	CABLE DIAMETER SEAL			A	L	E	ORDER UNIT	CATALOG NUMBER
	1 + 2 + 3	1 + 2	1					
Ex e glands with short thread								
12	-	-	5.0 - 7.0	15.0	19.3	8.0	20	GHG 960 1955 R0001
16	-	5.5 - 7.0	7.0 - 10.0	20.0	23.0	8.0	20	GHG 960 1955 R0002
20	5.5 - 7.0	7.0 - 9.0	9.5 - 13.0	24.0	25.0	8.0	20	GHG 960 1955 R0003
25	8.0 - 10.0	10.0 - 13.0	13.5 - 17.5	29.0	29.5	8.0	20	GHG 960 1955 R0004
32	-	14.0 - 17.0	17.5 - 21.0	36.0	35.5	10.0	20	GHG 960 1955 R0005
Ex e glands with long thread								
12	-	-	5.0 - 7.0	15.0	19.3	12.0	20	GHG 960 1955 R0021
16	-	5.5 - 7.0	7.0 - 10.0	20.0	23.0	12.0	20	GHG 960 1955 R0022
20	5.5 - 7.0	7.0 - 9.0	9.5 - 13.0	24.0	25.0	13.0	20	GHG 960 1955 R0023
25	8.0 - 10.0	10.0 - 13.0	13.5 - 17.5	29.0	29.5	13.0	20	GHG 960 1955 R0024
32	-	14.0 - 17.0	17.5 - 21.0	36.0	35.5	15.0	20	GHG 960 1955 R0025
40	-	19.0 - 22.0	22.0 - 28.0	46.0	39.5	15.0	10	GHG 960 1955 R0026
50	-	24.0 - 28.0	28.0 - 35.0	55.0	44.0	16.0	10	GHG 960 1955 R0027
63	-	29.0 - 35.0	36.0 - 48.0 (1)	68.0	47.0	16.0	5	GHG 960 1955 R0028

(1) Size M63 is supplied with a specific additional seal for the clamping range 41.0 - 48.0 mm



CEAG GHG Ex e blue

Hazardous area cable glands



Suitable for the following cable types:

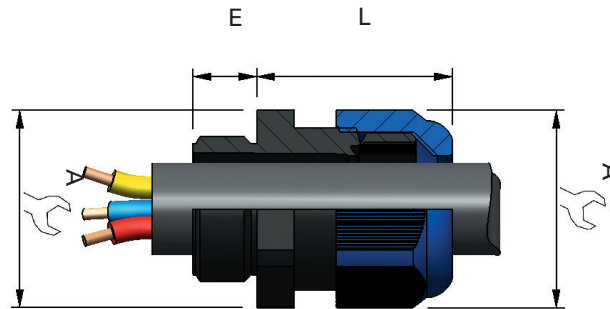
- Non-armoured cable
- Fixed equipment where cables are not subjected to traction or vibration
- The blue cap allows easy identification of intrinsically safe circuits

Certifications and marquages

- **ATEX No. PTB 14 ATEX 1015 X**
 (Ex)II 2G - Ex e IIC Gb
 (Ex)II 2D - Ex tb IIIC Db
- **IECEX No. IECEX PTB 14.0027X**
 Ex eb IIC Gb
 Ex eb IIC Db

Technical specification

- Material: polyamide
- Temperature range:
 -20 °C to +70 °C (M12 to M32)
 -55 °C to +70 °C (M40 to M63)
- Large cable connection area
- Low torque required for tightening.
- Integrated sealing lip on thread
- Locknut available separately: see page ???



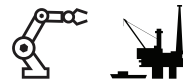
Ordering codes

THREAD SIZE (ISO)	CABLE DIAMETER SEAL			A	L	E	ORDER UNIT	CATALOG NUMBER
	1 + 2 + 3	1 + 2	1					
Ex e blue glands with short thread								
12	-	-	5.0 - 7.0	15.0	19.3	8.0	20	GHG 960 1955 R0101
16	-	5.5 - 7.0	7.0 - 10.0	20.0	23.0	8.0	20	GHG 960 1955 R0102
20	5.5 - 7.0	7.0 - 9.0	9.5 - 13.0	24.0	25.0	8.0	20	GHG 960 1955 R0103
25	8.0 - 10.0	10.0 - 13.0	13.5 - 17.5	29.0	29.5	8.0	20	GHG 960 1955 R0104
32	-	14.0 - 17.0	17.5 - 21.0	36.0	35.5	10.0	20	GHG 960 1955 R0105
Ex e blue glands with long thread								
12	-	-	5.0 - 7.0	15.0	19.3	12.0	20	GHG 960 1955 R0121
16	-	5.5 - 7.0	7.0 - 10.0	20.0	23.0	12.0	20	GHG 960 1955 R0122
20	5.5 - 7.0	7.0 - 9.0	9.5 - 13.0	24.0	25.0	13.0	20	GHG 960 1955 R0123
25	8.0 - 10.0	10.0 - 13.0	13.5 - 17.5	29.0	29.5	13.0	20	GHG 960 1955 R0124
32	-	14.0 - 17.0	17.5 - 21.0	36.0	35.5	15.0	20	GHG 960 1955 R0125
40	-	19.0 - 22.0	22.0 - 28.0	46.0	39.5	15.0	10	GHG 960 1955 R0126
50	-	24.0 - 28.0	28.0 - 35.0	55.0	44.0	16.0	10	GHG 960 1955 R0127
63	-	29.0 - 35.0	36.0 - 48.0 (1)	68.0	47.0	16.0	5	GHG 960 1955 R0128

(1) Size M63 is supplied with a specific additional seal for the clamping range 41.0 - 48.0 mm

Trumpet Ex e cable gland

Hazardous area cable glands



Suitable for the following cable types:

- Non-armoured cable
- Mobile/portable equipment (i.e: portable lamps)
- Cables subjected to vibration (i.e: BJ motor)

Certifications and marquages

- **ATEX No. PTB 00ATEX3121**

⊕ Ex II 2 G - Ex e II

⊕ Ex II 2 D - Ex tD A21 IP66

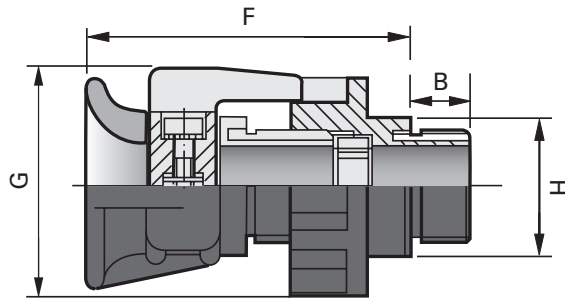
- **IECEx No. IECEx BKI 08.0007**

Ex e II

Ex tD A21 IP66 T85 °C

Technical specification

- Material: polyamide
- Temperature range: -40 °C to +85 °C
- Large cable connection area
- Low torque required for tightening
- Supplied with washer and locknut



Ordering codes

THREAD SIZE (ISO)	THREAD SIZE (ISO)	CABLE DIAMETER MIN - MAX	F	H	G	B	ORDER UNIT	CATALOG NUMBER
20	M20	8.0 - 13.0	64.0	27.0	47.0	15.0	10	GHG 960 1949 R0111
25	M25	11.0 - 16.0	65.0	32.0	51.0	15.0	10	GHG 960 1949 R0112
32	M32	15.0 - 20.0	80.0	41.0	68.0	15.0	10	GHG 960 1949 R0113
40	M40	19.0 - 27.0	86.0	50.0	81.0	15.0	10	GHG 960 1949 R0114
50	M50	28.0 - 34.0	95.0	60.0	96.0	16.0	1	GHG 960 1949 R0115
63	M63	38.0 - 46.0	105.0	75.0	107.0	16.0	1	GHG 960 1949 R0116





option
316L

Suitable for the following cable types:

- Metal Clad cable: MC, MC-HL
- Non-armoured cable and tray cable: ITC-HL, TC, TC-ER, TC-ER-HL, PLTC
- TECK cable

Certifications and compliances

- **cULus No. E122485**
 - Class I Division 1 Groups A, B, C, D
 - Class II Groups E, F, G
 - Class III
 - NEMA 6P (1/2" to 1 1/4" NPT or metric equivalent)
 - NEMA 4X (1/2" to 4" NPT or metric equivalent)
 - Nickel-plated brass and stainless steel 316L versions are NEMA 4X rated.

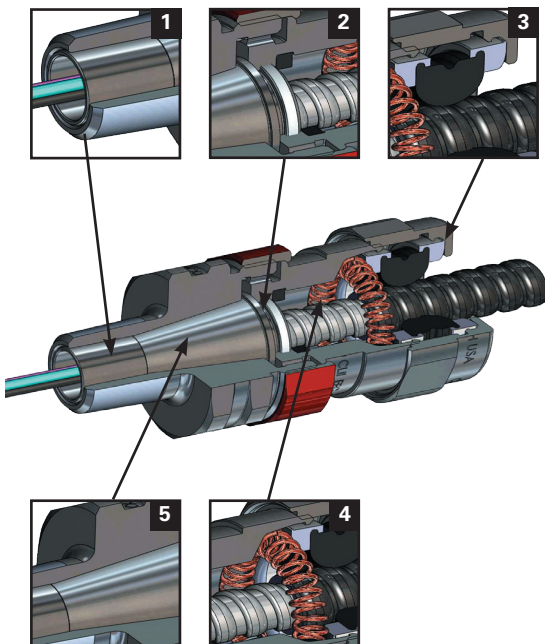
Technical specification

- Material: aluminium with neoprene O-ring, stainless steel 316L and nickel-plated brass
- Chico® LiquidSeal liquid compound with fast gel and cure times to reduce waiting time. Also available with regular TSC epoxy sealing compound*.
- Aluminum sizes 1/2" to 1 1/4" NPT available in bulk packs.
- Temperature range: -40 °C to +60 °C
- For specific temperature information, please contact your local representative.

*For details of Chico® LiquidSeal liquid compound, TSC epoxy sealing compound and Cold Shrink kits, please see page ??.

Features and benefits

- 1: Choice of liquid or putty compound allows rapid curing and facilitates non-vertical applications. Includes compound dam.
- 2: Splined shaft ensures the two assemblies lock together and do not rotate, preventing need for two tools to be used.
- 3: Back nut / cap nut and environmental seal are captive, retaining entry end components.
- 4: Conical compound chamber ensures perfect flame path every time.
- 5: Integral union allows for a two-piece assembly gland, minimizing tightening and loosening of nuts, improving assembly time. Red anodized union nut is visible in any orientation for quick identification of Ex gland.

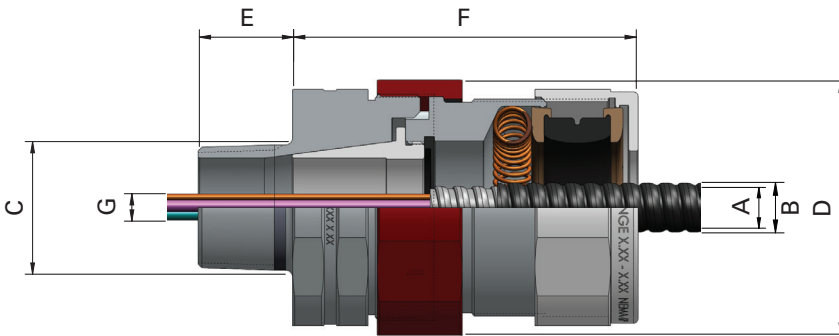


Terminator II TMCX

North American cable glands

Cable gland TMCX II bulk packs

CATALOG NUMBER	DESCRIPTION	QUANTITY
TMCX050 0 BULK	1/2" TMCX II SIZE 0	20
TMCX050 1 BULK	1/2" TMCX II SIZE 1	20
TMCX050 2 BULK	1/2" TMCX II SIZE 2	20
TMCX075 0 BULK	3/4" TMCX II SIZE 0	15
TMCX075 1 BULK	3/4" TMCX II SIZE 1	15
TMCX075 2 BULK	3/4" TMCX II SIZE 2	15
TMCX100 0 BULK	1" TMCX II SIZE 0	15
TMCX100 1 BULK	1" TMCX II SIZE 1	10
TMCX100 2 BULK	1" TMCX II SIZE 2	10
TMCX125 1 BULK	1 1/4" TMCX II SIZE 1	10



SERIES	THREAD SIZE	CABLE SEALING RANGE	MATERIAL	SEALING TYPE
TMCX	050	1	NP	L

CODES

L Liquid compound
BLANK TSC compound

SELECT

NP Nickel-plated brass
SS Stainless steel
BLANK Aluminum

SELECT

The Terminator™ II TMCX in aluminum, sizes 1/2" to 1 1/4" NPT is also available in bulk packed glands without compound. For details of Chico® LiquidSeal liquid compound, TSC epoxy sealing compound and Cold Shrink kits, please see page ??

Ordering codes

THREAD SIZE (NPT) 'C'	THREAD SIZE (NPT)	THREAD SIZE CODE (ISO) 'C'	THREAD SIZE (ISO)	CABLE SEALING RANGE	OVER COND O.D MAX 'G'	ARMOUR O.D. 'A' MIN - MAX	CABLE O.D. 'B' † MIN - MAX	D	E	F	CATALOG NUMBER (NPT)	CATALOG NUMBER (ISO)
1/2"	050	20	M20	0	0.480	0.36-0.66	0.45-0.70	1.44	0.89	2.93	TMCX050 0	TMCXM20 0
1/2"	050	20	M20	1	0.480	0.40-0.86	0.49-0.90	1.75	1.00	3.05	TMCX050 1	TMCXM20 1
1/2"	050	20	M20	2	0.480	0.56-1.14	0.65-1.18	2.25	1.00	3.18	TMCX050 2	TMCXM20 2
3/4"	075	25	M25	0	0.713	0.36-0.66	0.45-0.70	1.63	0.90	2.93	TMCX075 0	TMCXM25 0
3/4"	075	25	M25	1	0.713	0.40-0.86	0.49-0.90	1.75	1.00	3.05	TMCX075 1	TMCXM25 1
3/4"	075	25	M25	2	0.713	0.56-1.14	0.65-1.18	2.25	1.00	3.18	TMCX075 2	TMCXM25 2
1"	100	32	M32	0	0.713	0.40-0.86	0.49-0.90	1.75	1.08	3.13	TMCX100 0	TMCXM32 0
1"	100	32	M32	1	0.939	0.56-1.14	0.65-1.18	2.25	1.08	3.18	TMCX100 1	TMCXM32 1
1"	100	32	M32	2	0.939	0.78-1.35	0.87-1.39	2.56	1.08	3.30	TMCX100 2	TMCXM32 2
1 1/4"	125	40	M40	1	1.172	0.78-1.35	0.87-1.39	2.56	1.08	3.30	TMCX125 1	TMCXM40 1
1 1/4"	125	40	M40	2	1.150	0.94-1.67	1.03-1.65	3.73	1.25	4.71	TMCX125 2	TMCXM40 2
1 1/2"	150	50	M50	1	1.370	0.94-1.67	1.03-1.65	3.73	1.25	4.71	TMCX150 1	TMCXM50 1
1 1/2"	150	50	M50	2	1.370	1.28-1.97	1.53-2.07	4.11	1.25	4.71	TMCX150 2	TMCXM50 2
2"	200	63	M63	1	1.760	1.28-1.97	1.53-2.07	4.11	1.25	4.71	TMCX200 1	TMCXM63 1
2"	200	63	M63	2	1.760	1.67-2.62	1.81-2.72	4.98	1.25	5.63	TMCX200 2	TMCXM63 2
2 1/2"	250	75	M75	1	2.140	1.67-2.62	1.81-2.72	4.98	1.81	5.63	TMCX250 1	TMCXM75 1
2 1/2"	250	75	M75	2	2.140	2.11-2.95	2.34-3.13	5.61	1.81	5.80	TMCX250 2	TMCXM75 2
3"	300	90	M90	1	2.690	2.11-2.95	2.34-3.13	5.61	1.81	5.80	TMCX300 1	TMCXM90 1
3"	300	90	M90	2	2.690	2.45-3.39	2.68-3.61	6.23	1.81	6.26	TMCX300 2	TMCXM90 2
3 1/2"	350	110	M110	1	3.130	2.45-3.39	2.68-3.61	6.23	1.94	6.26	TMCX350 1	TMCXM110 1
3 1/2"	350	110	M110	2	3.570	3.05-4.22	3.13-3.97	6.73	1.94	6.52	TMCX350 2	TMCXM110 2
4"	400	-	-	1	3.130	2.45-3.39	2.68-3.61	6.23	2.00	6.26	TMCX400 1	-
4"	400	-	-	2	3.570	3.05-4.22	3.13-3.97	6.73	2.00	6.52	TMCX400 2	-

† When making your cable selection based on cable O.D., be sure to also observe the Over Conductors O.D. dimension

* Minimum cable O.D. for CSA certification is 0.49 (12.45) for TMCX050 0 and TMCX075 0; 0.57 (14.48) for TMCX100 0.

Accessories for Terminator™ II TMCX

North American cable glands

Chico® LiquidSeal liquid compound

Mixing time: 2 minutes
 Application: pour/gun
 Gel time: 15-30 minutes*
 Full cure/return to service time: 2 hours*
 Available for installation in vertical position



Chico® LiquidSeal liquid compound

FORMAT	ORDER UNIT	CATALOG NUMBER
10 x 10 ml sachets	1 carton	LSC10
10 x 20 ml sachets	1 carton	LSC20
5 x 75 ml sachets	1 carton	LSC75

Chico® LiquidSeal 200ml cartridge

Easily and quickly pour multiple glands
 Self-mixing nozzles
 Gel time: 15-30 minutes*
 Full cure/return to service time: 2 hours*
 Can be stored between uses**

*at +20°C ambient temperature
 **additional tips may be required



Applicator gun

Applicator gun available at many retailers - ask for 200ml dual cartridge applicator gun.



DESCRIPTION	STANDARD CARTON QUANTITY	CATALOG NUMBER
200 ml. liquid compound cartridge and 3 mixing nozzles	1	LSC200CART
Replacement mixing nozzles	5	LSCTIP

Solid compound epoxy TSC

Mixing time: 5 minutes
 Application: by hand
 Full curing time: 24 hours
 Available for installation in any orientation



FORMAT	ORDER UNIT	CATALOG NUMBER
10 x 15 ml tubes (0.5 oz)	1 carton	TSC05
10 x 30 ml tubes (1.0 oz)	1 carton	TSC1
5 x 120 ml tubes (4.0 oz)	1 carton	TSC4

Cold Shrink™ corrosion protection kits

THREAD SIZE NPT (TMCX, TMC)	CATALOG NUMBER NPT TMCX II	CATALOG NUMBER ISO TMCX II	COLD SHRINK KIT
1/2"	TMCX050 0	TMCXM20 0	TMC-K1
1/2"	TMCX050 1	TMCXM20 1	TMC-K1
1/2"	TMCX050 2	TMCXM20 2	TMC-K1
3/4"	TMCX075 0	TMCXM25 0	TMC-K2
3/4"	TMCX075 1	TMCXM25 1	TMC-K2
3/4"	TMCX075 2	TMCXM25 2	TMC-K2
1"	TMCX100 0	TMCXM32 0	TMC-K3
1"	TMCX100 1	TMCXM32 1	TMC-K3
1"	TMCX100 2	TMCXM32 2	TMC-K3
1 1/4"	TMCX125 1	TMCXM40 1	TMC-K4
1 1/4"	TMCX125 2	TMCXM40 2	TMC-K4
1 1/2"	TMCX150 1	TMCXM50 1	TMC-K5
1 1/2"	TMCX150 2	TMCXM50 2	TMC-K5
2"	TMCX200 1	TMCXM63 1	TMC-K6
2"	TMCX200 2	TMCXM63 2	TMC-K6
2 1/2"	TMCX250 1	TMCXM75 1	TMC-K7
2 1/2"	TMCX250 2	TMCXM75 2	TMC-K7
3"	TMCX300 1	TMCXM90 1	TMC-K8
3"	TMCX300 2	TMCXM90 2	TMC-K8
3 1/2"	TMCX350 1	TMCXM110 1	TMC-K9
3 1/2"	TMCX350 2	TMCXM110 2	TMC-K9
4	TMCX400 1	-	TMC-K10
4"	TMCX400 2	-	TMC-K10

Cold Shrink™ Corrosion Protection Kits are specially designed for Crouse-Hinds TMC, TMCX and TECK fittings to provide protection against corrosive elements like salt spray and moisture.

The TMC-K kit is made of a Cold Shrink material that is quick and easy to install on the gland. The Cold Shrink material is made of EPDM rubber that contains no chlorides or sulphurs. The protection kit installs easily over the gland without the use of a heat source to shrink the material tightly over the seal. The Cold Shrink material can be removed easily from the gland by simply cutting it off.

See ordering information for complete offering of TMC-K Cold Shrink kits for corrosion protection. Cold Shrink is a registered trademark of the 3M Company.



Suitable for the following cable types:

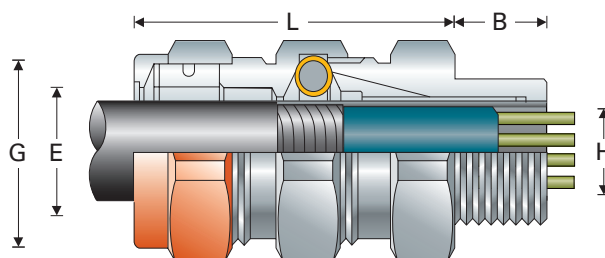
- Metal Clad cable: MC, MC-HL
- Tray cable: TC

Certifications and compliances

- **UL No. E122485**
Class I Division 1 Groups A, B, C, D
Class II
Class III
NEMA 4 and IP56
- **CSA No. LR13046**

Technical specification

- Material: aluminium with neoprene seal (nickel-plated brass on request)
- Stainless steel copper-plated spring provides grounding continuity of cable armour (MC cable only).
- Provides explosionproof compound seal on conductors and watertight seal on outer sheath of cable
- Temperature range: -25 °C to +60 °C
- IP56
- Cold Shrink™ Kit is available for extra protection in aggressive environments.
- Available with TSC epoxy sealing compound.



THREAD SIZE (NPT)	ARMOUR RANGE 'H' MIN - MAX	OUTER SHEATH 'E' MIN - MAX	ACROSS FLATS	ACROSS CORNERS 'G'	LENGTH 'L'	THREAD LENGTH 'B'	CATALOG NUMBER ALUMINIUM	COLD SHRINK KIT THREAD SIZE	CATALOG NUMBER
1/2"	0.44 - 0.65	0.49 - 0.78	1.25	1.38	2.63	0.75	TMCX165	1/2"	TMC-K1
3/4"	0.60 - 0.85	0.65 - 1.00	1.50	1.63	2.88	0.78	TMCX285	3/4"	TMC-K2
1"	0.80 - 1.12	0.85 - 1.31	1.88	2.00	3.13	0.94	TMCX3112	1"	TMC-K3
1 1/4"	1.10 - 1.40	1.15 - 1.62	2.25	2.44	3.13	0.97	TMCX4140	1 1/4"	TMC-K4
1 1/2"	1.33 - 1.61	1.38 - 1.78	2.50	2.75	3.38	0.97	TMCX5161	1 1/2"	TMC-K5
2"	1.57 - 2.06	1.63 - 2.31	3.25	3.50	5.31	1.00	TMCX6206	2"	TMC-K6
2 1/2"	1.93 - 2.47	1.99 - 2.72	3.75	4.00	6.06	1.44	TMCX7247	2 1/2"	TMC-K7
3"	2.45 - 3.02	2.52 - 3.28	4.50	4.88	6.06	1.44	TMCX8302	3"	TMC-K8
3 1/2"	2.95 - 3.52	3.02 - 3.78	5.00	5.38	7.75	1.63	TMCX9352	3 1/2"	TMC-K9
4"	3.50 - 4.02	3.58 - 4.28	5.50	5.88	8.31L	1.63	TMCX10402	4"	TMC-K10



Suitable for the following cable types:

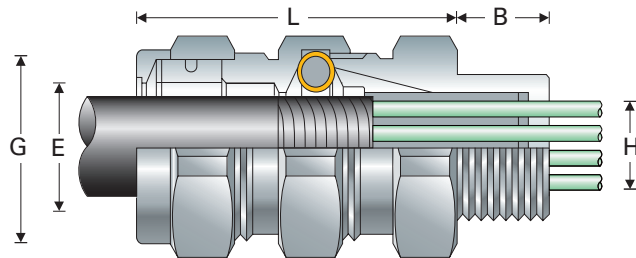
- Metal clad cable: MC
- TECK corrugated or interlocked steel or aluminum cable

Certifications and compliances

- UL Listed: UL File E36379
- CSA listed LR291
- NEMA 4 and IP56
- Suitable for wet locations

Technical specification

- Material: aluminium with neoprene seal
- Stainless steel copper-plated spring provides grounding continuity of cable armour (MC cable only).
- Watertight seal on outer sheath of cable
- Temperature range: -25 °C to +60 °C
- IP56
- Cold Shrink™ Kit is available for extra protection in aggressive environments.
- Available in NPT threadforms



THREAD SIZE (NPT)	ARMOUR RANGE 'H' MIN - MAX	OUTER SHEATH 'E' MIN - MAX	ACROSS FLATS	ACROSS CORNERS 'G'	LENGTH 'L'	THREAD LENGTH 'B'	CATALOG NUMBER ALUMINIUM
1/2"	0.44 - 0.65	0.49 - 0.78	1.25	1.38	2.38	0.75	TMC165
3/4"	0.60 - 0.85	0.65 - 1.00	1.50	1.63	2.63	0.78	TMC285
1"	0.80 - 1.12	0.85 - 1.31	1.88	2.00	3.13	0.94	TMC3112
1 1/4"	1.10 - 1.40	1.15 - 1.62	2.25	2.44	2.75	0.97	TMC4140
1 1/2"	1.33 - 1.61	1.38 - 1.78	2.50	2.75	3.38	0.97	TMC5161
2"	1.57 - 2.06	1.63 - 2.31	3.25	3.50	4.50	1.00	TMC6206
2 1/2"	1.93 - 2.47	1.99 - 2.72	3.75	4.00	4.75	1.44	TMC7247
3"	2.45 - 3.02	2.52 - 3.28	4.50	4.88	4.88	1.44	TMC8302
3 1/2"	2.95 - 3.52	3.02 - 3.78	5.00	5.38	5.38	1.63	TMC9352
4"	3.50 - 4.02	3.58 - 4.28	5.50	5.88	5.50	1.63	TMC10402



Suitable for the following cable types:

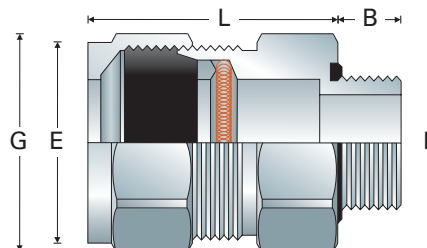
- TECK corrugated or interlocked steel or aluminum cable

Certifications and compliances

- **CSA Listed: LR13046**
CSA Type 4 and IP56
Class I
Class II Groups E, F G
Class III

Technical specification

- Material: aluminium with neoprene seal as standard, steel, stainless steel and PVC coated* aluminium as an option
- Stainless steel copper-plated spring provides grounding continuity of cable armour (TECK cable only)
- Provides watertight seal on outer sheath of cable
- Has integral O ring seal on entry threads
- Temperature range: -25 °C to +60 °C
- IP56
- Cold Shrink™ Kit is available for extra protection in aggressive environments





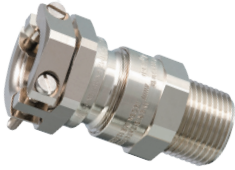






option
316L

THREAD SIZE (NPT)	ARMOUR RANGE 'H' MIN - MAX	OUTER SHEATH 'E' MIN - MAX	ACROSS FLATS	ACROSS CORNERS 'G'	LENGTH 'L'	THREAD LENGTH 'B'	CATALOG NUMBER ALUMINIUM	CATALOG NUMBER STEEL	CATALOG NUMBER STAINLESS STEEL	CATALOG NUMBER COLD SHRINK KIT
1/2"	0.41 - 0.57	0.52 - 0.65	1.25	1.35	0.63	2.30	TECK050-1	TECK050-1S	TECK050-1SS	TMC-K1
1/2"	0.49 - 0.68	0.60 - 0.76	1.38	1.50	0.63	2.30	TECK050-2	TECK050-2S	TECK050-2SS	TMC-K1
1/2"	0.61 - 0.80	0.72 - 0.88	1.50	1.60	0.63	2.30	TECK050-3	TECK050-3S	TECK050-3SS	TMC-K1
1/2"	0.71 - 0.90	0.82 - 0.98	1.50	1.60	0.63	2.30	TECK050-4	TECK050-4S	TECK050-4SS	TMC-K1
3/4"	0.77 - 0.98	0.88 - 1.06	2.00	2.13	0.63	2.50	TECK075-5	TECK075-5S	TECK075-5SS	TMC-K2
3/4"	0.91 - 1.12	1.02 - 1.20	2.00	2.13	0.63	2.50	TECK075-6	TECK075-6S	TECK075-6SS	TMC-K2
1"	1.08 - 1.29	1.19 - 1.37	2.25	2.40	0.75	2.63	TECK100-7	TECK100-7S	TECK100-7SS	TMC-K3
1 1/4"	1.24 - 1.54	1.35 - 1.62	3.00	3.13	0.80	3.50	TECK125-8	TECK125-8S	-	TMC-K4
1 1/4"	1.39 - 1.54	1.50 - 1.62	3.00	3.13	0.80	3.40	TECK125-9	TECK125-9S	-	TMC-K4
1 1/4"	1.49 - 1.79	1.60 - 1.87	3.00	3.13	0.80	3.50	TECK125-10	TECK125-10S	-	TMC-K4
1 1/2"	1.59 - 1.88	1.70 - 1.96	3.75	3.60	0.80	3.80	TECK150-11	TECK150-11S	-	TMC-K5
1 1/2"	1.79 - 2.11	1.90 - 2.19	3.50	3.75	0.80	3.90	TECK150-12	TECK150-12S	-	TMC-K5
2"	1.79 - 2.11	1.90 - 2.19	3.75	4.00	0.82	4.00	TECK200-13	TECK200-13S	-	TMC-K6
2"	1.99 - 2.28	2.10 - 2.37	3.75	4.00	0.82	4.00	TECK200-14	TECK200-14S	-	TMC-K6
2"	2.19 - 2.48	2.30 - 2.56	4.13	4.40	0.87	4.00	TECK200-15	TECK200-15S	-	TMC-K6
2"	2.39 - 2.66	2.50 - 2.75	4.13	4.40	0.87	4.00	TECK200-16	TECK200-16S	-	TMC-K6
2 1/2"	2.24 - 2.56	2.38 - 2.64	4.50	4.75	1.30	5.00	TECK250-17	TECK250-17S	-	TMC-K7
2 1/2"	2.24 - 2.75	2.58 - 2.84	4.50	4.75	1.30	5.00	TECK250-18	TECK250-18S	-	TMC-K7
3"	2.64 - 2.97	2.79 - 3.06	4.60	4.90	1.40	5.00	TECK300-19	TECK300-19S	-	TMC-K8
3"	2.87 - 3.19	3.00 - 3.27	4.90	5.25	1.40	5.00	TECK300-20	TECK300-20S	-	TMC-K8
3"	3.04 - 3.39	3.21 - 3.48	5.00	5.25	1.40	5.00	TECK300-21	TECK300-21S	-	TMC-K8
3 1/2"	3.27 - 3.59	3.42 - 3.69	5.60	5.90	1.40	5.00	TECK350-22	TECK350-22S	-	TMC-K9
3 1/2"	3.44 - 3.77	3.61 - 3.87	5.50	5.90	1.40	5.00	TECK350-23	TECK350-23S	-	TMC-K9
4"	3.60 - 3.93	3.81 - 4.03	6.13	6.50	1.40	5.00	TECK400-24	TECK400-24S	-	TMC-K10
4"	3.75 - 4.06	3.96 - 4.18	6.13	6.50	1.40	5.00	TECK400-25	TECK400-25S	-	TMC-K10
4"	3.91 - 4.22	4.12 - 4.34	6.13	6.50	1.40	5.00	TECK400-26	TECK400-26S	-	TMC-K10

All dimensions in inches unless stated otherwise









Selection guide for cable glands for hazardous areas

Non-armoured cable glands	Cable type	Material options	Key points	
ADE-1F2 cable gland page 2.6		<ul style="list-style-type: none"> • Non-armoured • Marine shipboard cable • Tray cable • Type P 	<ul style="list-style-type: none"> • Nickel-plated brass • Option: Stainless steel Aluminum Bronze 	<ul style="list-style-type: none"> • Ex d / Ex e • UL / cULus • IP66 / IP68 • -60°C to +140°C • Metric / NPT
ADE-1F2 DS cable gland page 2.8		<ul style="list-style-type: none"> • Non-armoured • Marine shipboard cable • Tray cable • Type P 	<ul style="list-style-type: none"> • Nickel-plated brass • Option: Stainless steel Aluminum Bronze 	<ul style="list-style-type: none"> • Ex d / Ex e • UL / cULus • IP66 / IP68 • -60°C to +140°C • Metric / NPT
ADE-1F2 A Clamping cable gland page 2.10		<ul style="list-style-type: none"> • Non-armoured • Marine shipboard cable • Tray cable • Type P 	<ul style="list-style-type: none"> • Nickel-plated brass • Option: Stainless steel Aluminum Bronze 	<ul style="list-style-type: none"> • Ex d / Ex e • UL / cULus • IP66 / IP68 • -60°C to +140°C • Metric / NPT • Integrated clamp
ADE-1F2 O-Ring cable gland page 2.12		<ul style="list-style-type: none"> • Non-armoured • Marine shipboard cable • Tray cable • Type P 	<ul style="list-style-type: none"> • Nickel-plated brass • Option: Stainless steel 	<ul style="list-style-type: none"> • Ex d / Ex e • UL / cULus • IP66 / IP68 • -60°C to +140°C • Metric • Integrated O-ring
1F2 ADCC conduit gland page 2.14		<ul style="list-style-type: none"> • Non-armoured cable in flexible conduit • Non-armoured cable in rigid conduit 	<ul style="list-style-type: none"> • Nickel-plated brass • Option: Stainless steel 	<ul style="list-style-type: none"> • Ex d / Ex e • IP66 / IP68 • -60°C to +140°C • Metric / NPT / BSPP
1F2 ADCS conduit gland page 2.16		<ul style="list-style-type: none"> • Non-armoured cable in rigid conduit 	<ul style="list-style-type: none"> • Nickel-plated brass • Option: Stainless steel 	<ul style="list-style-type: none"> • Ex d / Ex e • IP66 / IP68 • -60°C to +140°C • Metric / NPT / BSPP • Swivel function
ADE-1FC cable gland page 2.18		<ul style="list-style-type: none"> • Non-armoured • Marine shipboard cable • Tray cable • Type P 	<ul style="list-style-type: none"> • Nickel-plated brass • Option: Stainless steel Bronze 	<ul style="list-style-type: none"> • Ex d / Ex e • UL / cULus • IP66 / IP68 • -60°C to +80°C • -25°C to +60°C (UL) • Metric / NPT • Deluge seal
NEWCAP MS-e page 2.32		<ul style="list-style-type: none"> • Non-armoured • Braided cable 	<ul style="list-style-type: none"> • Nickel-plated brass • Option: Stainless steel 	<ul style="list-style-type: none"> • Ex e • IP66 / IP68 • -20°C to +80°C
NEWCAP CT-e page 2.33		<ul style="list-style-type: none"> • Non-armoured • Braided cable For EMC specific cable and application 	<ul style="list-style-type: none"> • Nickel-plated brass • Option: Stainless steel 	<ul style="list-style-type: none"> • Ex e • IP66 / IP68 • -20°C to +80°C

Selection guide for cable glands for hazardous areas

Non-armoured cable glands		Cable type	Material options	Key points
EXACAP Ex-e Blue / Black page 2.34/2.35		<ul style="list-style-type: none"> Non-armoured 	<ul style="list-style-type: none"> Nylon 	<ul style="list-style-type: none"> Ex e -20°C to +70°C Integrated sealing lip
TRUMPET page 2.36		<ul style="list-style-type: none"> Non-armoured 	<ul style="list-style-type: none"> Nylon 	<ul style="list-style-type: none"> Ex e -40°C to +85°C

Armoured cable glands		Cable type	Material options	Key points
ADE-4F page 2.20		<ul style="list-style-type: none"> SWA SWB STA Braided marine shipboard Lead sheathed (with washer) Type P 	<ul style="list-style-type: none"> Nickel-plated brass Option: Stainless steel Aluminum Bronze 	<ul style="list-style-type: none"> Ex d / Ex e UL / cULus IP66 / IP68 -60°C to +140°C Metric / NPT
ADE-5F page 2.22		<ul style="list-style-type: none"> SWA SWB STA Braided marine shipboard Lead sheathed (with washer) Type P 	<ul style="list-style-type: none"> Nickel-plated brass Option: Stainless steel Aluminum Bronze 	<ul style="list-style-type: none"> Ex d / Ex e UL / cULus IP66 / IP68 -60°C to +140°C Metric / NPT Deluge seal option
ADE-6F page 2.24		<ul style="list-style-type: none"> SWA SWB STA Braided marine shipboard Type P 	<ul style="list-style-type: none"> Nickel-plated brass Option: Stainless steel Aluminum Bronze 	<ul style="list-style-type: none"> Ex d / Ex e UL / cULus IP66 / IP68 -60°C to +80°C Metric / NPT Deluge seal
ADE-6FC page 2.26		<ul style="list-style-type: none"> SWA SWB STA Braided marine shipboard Type P Tray cable 	<ul style="list-style-type: none"> Nickel-plated brass Option: Stainless steel Bronze 	<ul style="list-style-type: none"> Ex d / Ex e UL / cULus IP66 / IP68 -60°C to +80°C -25°C to +60°C (UL) Metric / NPT Deluge seal



North American certified cable glands		Cable type	Material options	Key points
TMCX II Armoured barrier gland page 2.38		<ul style="list-style-type: none"> Metal-clad with interlocked or continuously welded corrugated TECK armoured Armoured barrier Tray cable 	<ul style="list-style-type: none"> Aluminum Option: Nickel-plated brass Stainless steel 	<ul style="list-style-type: none"> cULus NEMA 6P / 4X -40°C to +60°C Metric / NPT
TMCX Armoured barrier gland page 2.41		<ul style="list-style-type: none"> Metal-clad with interlocked or continuously welded corrugated TECK armoured Tray cable 	<ul style="list-style-type: none"> Aluminum Option: Nickel-plated brass 	<ul style="list-style-type: none"> UL / CSA NEMA 4 / IP56 -25°C to +60°C NPT

Contents - hazardous area accessories

Overview - certified accessories for hazardous areas	3.2
Metallic adaptors and reducers - Raxton.....	3.4
Glass-filled nylon adaptors and reducers - Raxton.....	3.5
Type CQ dome head stopping plugs - Raxton	3.6
Type CB and CF stopping plugs - Raxton	3.7
Type CK hex head stopping plugs - Raxton	3.8
Type CY hollow hex head stopping plugs - Raxton.....	3.9
Male to male and female to female adaptors - Raxton	3.10
Insulating adaptors - Redapt.....	3.11
Right angle adaptors - Redapt	3.12
Swivel adaptors - Redapt.....	3.13
'Y' Adaptors - Redapt.....	3.14
'T' Adaptors - Redapt.....	3.15
Earth lead adaptors - Redapt.....	3.16
Threaded earth plates - Redapt.....	3.17
Breather drains (metallic) Ex e - Redapt.....	3.18
Breather drains (nylon) Ex e - Redapt.....	3.19
Breather drains Ex d / Ex e - Redapt.....	3.20
Unions - Redapt.....	3.21
Metallic accessories - ISO / NPT thread - Raxton.....	3.22
Raxton product coding.....	3.24
Redapt product coding	3.25

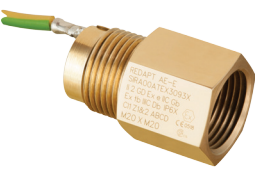
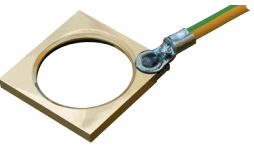
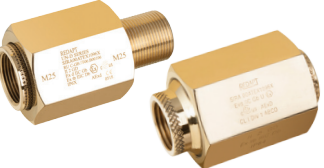

Certified accessories for hazardous areas

Adaptors and reducers	Thread forms	Material options	Key points	
Metallic male to female adaptors / reducers page 3.4		<ul style="list-style-type: none"> • Metric • NPT • Other threadforms available 	<ul style="list-style-type: none"> • Brass • Stainless steel • Mild steel • Aluminium 	<ul style="list-style-type: none"> • Ex d / Ex e • ATEX / IECEx / CSA • EAC / INMETRO • NEPSI • IP66 / IP68 • Plating available
Glass-filled nylon male to female adaptors / reducers page 3.5		<ul style="list-style-type: none"> • Metric • NPT • Other threadforms available 	<ul style="list-style-type: none"> • Glass-filled nylon 	<ul style="list-style-type: none"> • Ex e • ATEX / IECEx • EAC / INMETRO • IP66 / IP68 • -20°C to +65°C
Male to male / female to female adaptors page 3.10		<ul style="list-style-type: none"> • Metric • NPT • Other threadforms available 	<ul style="list-style-type: none"> • Brass • Stainless steel • Mild steel 	<ul style="list-style-type: none"> • Ex d / Ex e • ATEX / IECEx • EAC / INMETRO • IP6X • Plating available
Insulated adaptors page 3.11		<ul style="list-style-type: none"> • Metric • NPT • Other threadforms available 	<ul style="list-style-type: none"> • Brass • Stainless steel • Mild steel • Aluminium • Insulating material: Glass-filled nylon 	<ul style="list-style-type: none"> • Ex d / Ex e • ATEX / IECEx • IP54 • -20°C to +130°C • Can combine metals
Right-angled adaptors page 3.12		<ul style="list-style-type: none"> • Metric • NPT • Other threadforms available 	<ul style="list-style-type: none"> • Brass • Stainless steel • Aluminium 	<ul style="list-style-type: none"> • Ex d • ATEX / IECEx • EAC / INMETRO • IP66 / IP68 • Plating available
Swivel adaptors page 3.13		<ul style="list-style-type: none"> • Metric • NPT • Other threadforms available 	<ul style="list-style-type: none"> • Brass • Stainless steel • Aluminium 	<ul style="list-style-type: none"> • Ex d / Ex e • ATEX / IECEx • IP66 / IP68 • -20°C to +60°C (Ex d) • -50°C to +200°C (Ex e) • Swivel function • Plating available
'Y' and 'T' adaptors page 3.14/3.15		<ul style="list-style-type: none"> • Metric • NPT • Other threadforms available 	<ul style="list-style-type: none"> • Brass • Stainless steel • Mild steel • Aluminium 	<ul style="list-style-type: none"> • Ex d / Ex e • ATEX / IECEx • IP66 / IP68 • -60°C to +200°C • Converts one entry to two entries • Plating available

Breather drains	Thread forms	Material options	Key points	
Ex e breather drains page 3.18/3.19		<ul style="list-style-type: none"> • Metric • NPT 	<ul style="list-style-type: none"> • Brass • Stainless steel • Aluminium • Glass-filled nylon • Various O-ring materials available 	<ul style="list-style-type: none"> • Ex e • ATEX / IECEx / CSA • EAC • IP66 • -50°C to +125°C (nylon)
Ex d/Ex e breather drains page 3.20		<ul style="list-style-type: none"> • Metric • NPT 	<ul style="list-style-type: none"> • Brass • Stainless steel • Various O-ring materials available 	<ul style="list-style-type: none"> • Ex d / Ex e • ATEX / IECEx • IP66

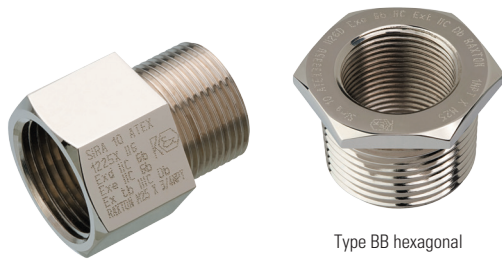
Certified accessories for hazardous areas

Stopping plugs	Thread forms	Material options	Key points
Type CQ dome head stopping plug page 3.6 	<ul style="list-style-type: none"> Metric NPT Other threadforms available 	<ul style="list-style-type: none"> Brass Stainless steel Mild steel Aluminium Glass-filled nylon 	<ul style="list-style-type: none"> Ex d / Ex e ATEX / IECEx / CSA EAC / INMETRO NEPSI IP66 / IP67 -20°C to +65°C (nylon)
Type CB flush fitting stopping plug page 3.7 	<ul style="list-style-type: none"> Metric NPT Other threadforms available 	<ul style="list-style-type: none"> Brass Stainless steel Aluminium 	<ul style="list-style-type: none"> Ex d / Ex e ATEX / IECEx / CSA EAC / INMETRO NEPSI IP66 / IP68 Tighten with allen key Externally accessible
Type CF tamperproof stopping plug page 3.7 	<ul style="list-style-type: none"> Metric NPT Other threadforms available 	<ul style="list-style-type: none"> Brass Stainless steel Aluminium 	<ul style="list-style-type: none"> Ex d / Ex e ATEX / IECEx / CSA EAC / INMETRO NEPSI IP66 / IP68 Tighten from inside equipment for security
Type CK hex head stopping plug page 3.8 	<ul style="list-style-type: none"> Metric NPT Other threadforms available 	<ul style="list-style-type: none"> Brass Stainless steel Mild steel Aluminium 	<ul style="list-style-type: none"> Ex d / Ex e ATEX / IECEx / CSA EAC / INMETRO NEPSI IP66 / IP68
Type CY hollow hex head stopping plug page 3.9 	<ul style="list-style-type: none"> Metric NPT Other threadforms available 	<ul style="list-style-type: none"> Brass Stainless steel Mild steel 	<ul style="list-style-type: none"> Ex d / Ex e ATEX / IECEx / EAC INMETRO / NEPSI IP66 / IP68

Accessories	Thread forms	Material options	Key points
Earth lead adaptors page 3.16 	<ul style="list-style-type: none"> Metric NPT 	<ul style="list-style-type: none"> Brass Stainless steel Mild steel Aluminium 	<ul style="list-style-type: none"> Ex e ATEX / IECEx / CSA EAC -20°C to +40°C Supplied with earth lead
Threaded earth plates page 3.17 	<ul style="list-style-type: none"> Metric NPT 	<ul style="list-style-type: none"> Brass 	<ul style="list-style-type: none"> Ex e ATEX Supplied with earth lead
Unions page 3.24 	<ul style="list-style-type: none"> Metric NPT Other threadforms available 	<ul style="list-style-type: none"> Brass Stainless steel Aluminium 	<ul style="list-style-type: none"> Ex d ATEX / CSA / EAC IP66 / IP68 -50°C to +180°C
Accessories: bushes, couplers, nipples page 3.25 	<ul style="list-style-type: none"> Metric NPT Other threadforms available 	<ul style="list-style-type: none"> Brass Stainless steel Mild steel Aluminium Nylon 	<ul style="list-style-type: none"> Wide range of sizes and threadforms available Plating available on metallic finishes

Metallic adaptors and reducers - Raxton

Hazardous area accessories



Type AB hexagonal

Type BB hexagonal

Features

- Allows conversion of thread type or size in existing equipment
- Maintains Ex certification while matching threadforms
- International Ex certifications
- Ingress protection IP66/IP68
- Various threadforms and materials available



Technical specification

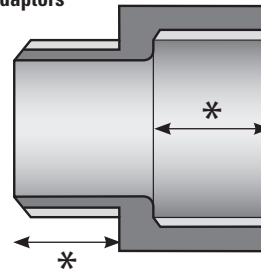
Metallic adaptors and reducers	
ATEX marking	Ex I M2, Ex d I Mb, Ex e I Mb (not aluminium) Ex II 2 GD, Ex d IIC Gb, Ex e IIC Gb, Ex tb IIIC Db
ATEX certification	SIRA 10 ATEX 1225X, ITS 16 ATEX 101336X
IEC Ex certification	IECEx SIR 07.0010X, IECEx SIR 12.0014X, IECEx ITS16.0011X
Other certificates	CSA: CSA 200455-1003277 (brass and stainless steel only) EAC: TC RUC-G B.ГБ06.B.00105 INMETRO: NCC 12.0764X NEPSI: GYJ13.1313X
Temperature range	metallic products are not given an operating temperature range
Ingress protection	IP66 / IP68
Material	brass, aluminium, mild steel, stainless steel 316L

Dimensions

THREAD SIZE	ADAPTORS (AB)		REDUCERS (BB)
	MALE THREAD MAX. BORE	ACROSS FLATS	MALE THREAD MAX. BORE
M16	11.0	20.8	20.8
M20	14.3	23.4	23.4
M25	20.5	27.9	27.9
M32	26.8	37.6	37.6
M40	33.5	47.2	47.2
M50	44.0	56.4	56.4
M63	55.2	70.1	70.1
M75	66.7	80.0	80.0
M90 x 2.0	80.0	105.0	105.0

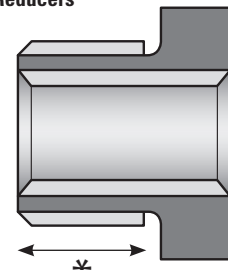
Adaptors : metallic adaptors are available for up to two step sizing, e.g. M20 male x M32 female.
Example : male x M32 / female x M50. All dimensions in mm.

Adaptors



* Minimum 8 full threads parallel, 5 full threads taper. (Exd)

Reducers



* Minimum 6 full threads parallel, 5 full threads taper (Exd)

Ordering codes (Raxton)

DIGITS 1 & 2		DIGIT 3		DIGITS 4 & 5 MALE / DIGITS 6 & 7 FEMALE				DIGIT 8		DIGIT 9		DIGIT 10	
DESCRIPTION	CODE	MATERIAL	CODE	THREAD SIZE	CODE	THREAD SIZE / CODE	CERTIFICATE	CODE	SPECIAL	CODE	PLATING	CODE	
M-F adaptor	AB	Brass	A	M16	11	½" NPT	42	ATEX / IECEx Ex de (all certificates)	None (standard)	X or blank	None	blank	
M-F reducer	BB	Aluminium	B	M20	12	¾" NPT	43		For other approvals please see the product coding list on page 3.24	Integrated O-ring	U	Nickel	N
		Mild steel	C	M25	13	1" NPT	44					Chrome	C
		Stainless steel 316L	E	M32	14	1¼" NPT	45					Special	S
				M40	15	1½" NPT	46						
				M50	16	2" NPT	47						
				M63	17	2½" NPT	48						
				M75	18	3" NPT	49	Industrial	X or blank				

Other sizes/threadforms available on request

PRODUCT CODE EXAMPLE	ADAPTOR	BRASS	1" NPT (M)	M32 (F)	Ex d / Ex e	REFERENCE
	AB	A	44	14	Y	= ABA4414Y

For more information about product coding, see page 3.24



Glass-filled nylon adaptors and reducers - Raxton

Hazardous area accessories



Type AJ round



Type BJ round

Features

- Allows conversion of thread type or size in existing equipment
- Maintains Ex certification while matching threadforms
- International Ex certifications
- Ingress protection IP66/IP68
- Various threadforms available



Technical specification

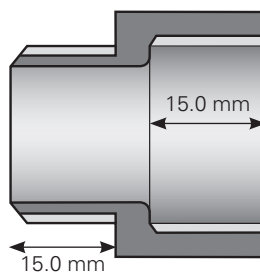
Nylon adaptors and reducers	
ATEX marking	Ex II 2 GD, Ex e IIC Gb, Ex tb IIIC Db
ATEX certification	SIRA 10ATEX1225X, ITS16ATEX101336X, SIRA 00ATEX1073U (M16 only)
IEC Ex certification	IECEx SIR 07.0010X, IECEx SIR 12.0014X, IECEx ITS16.0011X
Other certificates	EAC: TC RUC-G B.ГБ06.B.00105 INMETRO: NCC 12.0764X
Temperature range	-20 °C to +65 °C
Ingress protection	IP66 / IP68
Material	glass-filled nylon

Dimensions

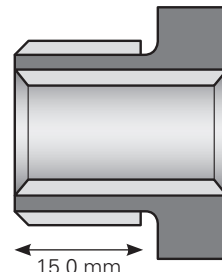
THREAD SIZE	ADAPTOR (AJ) MALE THREAD MAX BORE	ADAPTOR (AJ) HEAD DIAMETER	REDUCER (BJ) MALE THREAD MAX BORE
M16	8.0	24.0	22.0
M20	12.5	27.5	25.0
M25	17.5	35.5	30.0
M32	24.5	41.0	38.0
M40	32.5	50.0	46.0
M50	42.5	60.0	56.0
M63	53.0	75.0	70.0
M75	64.0	85.0	81.0
M90 x 2.0	76.0	100.0	96.0

All dimensions in mm.

Adaptors



Reducers



Ordering codes (Raxton)

DIGITS 1 & 2		DIGIT 3		DIGITS 4 & 5 MALE / DIGITS 6 & 7 FEMALE			DIGIT 8		DIGIT 9		DIGIT 10	
DESCRIPTION	CODE	MATERIAL	CODE	THREAD SIZE / CODE	CERTIFICATE	CODE	SPECIAL	CODE	PLATING	CODE		
M-F adaptor	AJ	Glass-filled nylon	M	M16 11 ½" NPT 42	ATEX Ex e	E	None (standard)	X or blank	None	blank		
M-F reducer	BJ			M20 12 ¾" NPT 43			Integrated O-ring	U				
				M25 13 1" NPT 44								
				M32 14 1½" NPT 45								
				M40 15 1½" NPT 46			For other approvals please see the product coding list on page 3.24					
				M50 16 2" NPT 47								
				M63 17 2½" NPT 48								
				M75 18 3" NPT 49	Industrial	X or blank						

Other sizes/threadforms available on request

PRODUCT CODE EXAMPLE	REDUCER	G.F. NYLON	M32 (M)	M25 (F)	Ex e	REFERENCE
	BJ	M	14	13	E	= BJM1413E

For more information about product coding, see page 3.24

Type CQ dome head stopping plugs - Raxton

Hazardous area accessories



Features

- Securely closes off unused entries
- Maintains Ex certification
- Maintains IP integrity
- Ingress protection IP66/IP67
- International Ex certifications
- Various threadforms and materials available



IP66

IP67

Technical specification

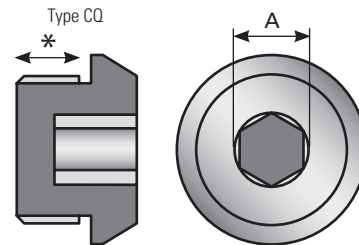
Type CQ stopping plugs	
ATEX marking	Ex I M2, Ex d I Mb, Ex e I Mb, Ex II 2 GD, Ex d IIC Gb, Ex e IIC Gb, Ex tb IIIC Db
ATEX marking (nylon)	Ex II 2 GD, Ex e IIC Gb, Ex tb IIIC Db
ATEX certification	SIRA 10 ATEX 1224X, ITS 16 ATEX 101335X
ATEX certification (nylon)	SIRA 10 ATEX 1225X, ITS 16 ATEX 101335X, SIRA 00 ATEX 1073U (M16 only)
IEC Ex certification	IECEx SIR 07.0009X, IECEx ITS16.0012X
IEC Ex certification (nylon)	IECEx SIR 12.0014X, IECEx ITS16.0012X
Other certificates	CSA: CSA 200455-1003277 GOST: TC RUC-G B.ГБ506.B.00105 INMETRO: NCC 12.0764X NEPSI: GYJ13.1311X
Temperature range	-20 °C to +65 °C (nylon only)*, O-ring -30 °C to +125 °C
Ingress protection	IP66 / IP67
Material	brass, aluminium, mild steel, stainless steel 316L, glass-filled nylon

*This item is classified as a component; metallic products are not given an operating temperature range.

Dimensions

THREAD SIZE	DOMED HEAD ALLEN/HEX KEY APERTURE (A)	DOMED HEAD DIAMETER
M16	6.0	20.5
M20	10.0	25.0
M25	10.0	30.0
M32	10.0	38.0
M40	19.0	46.0
M50	19.0	56.0
M63	19.0	69.0
M75	19.0	81.0

All dimensions in mm.



*Minimum 8 full threads parallel, or 5 full threads taper (Ex d)

Ordering codes (Raxton)

DIGITS 1 & 2 DESCRIPTION (STOPPING PLUGS)	DIGIT 3 MATERIAL	DIGIT 4 & 5 MALE / DIGITS 6 & 7 FEMALE (n/a)	DIGIT 8 CERTIFICATE	DIGIT 9 SPECIAL	DIGIT 10 PLATING	DIGIT 10						
						CODE	CODE					
Dome head stopping plug	CQ	Brass	A	M16 11 ½" NPT 42	ATEX / IECEx Ex de (all certificates)	Y	None (standard)	X or blank	None	blank		
		Aluminium	B	M20 12 ¾" NPT 43					Nickel	N		
		Mild steel	C	M25 13 1" NPT 44					Zinc	Z		
		Stainless steel 316L	E	M32 14 1¼" NPT 45					Chrome	C		
		Glass-filled nylon	M	M40 15 1½" NPT 46					Integrated O-ring	U	Special	S
				M50 16 2" NPT 47								
M63 17 2½" NPT 48												
		M75 18 3" NPT 49	Industrial	X or blank								

Other sizes/threadforms available on request

PRODUCT CODE EXAMPLE	STOPPING PLUG	ST. STEEL 316L	M25 (M)	-	Ex d / Ex e	REFERENCE
	CQ	E	13	00	Y	= CQE1300Y

For more information about product coding, see page 3.24



Type CB and Type CF stopping plugs - Raxton

Hazardous area accessories



Features

- Securely closes off unused entries
- Maintains Ex certification
- Maintains IP integrity
- Type CB are flush fitting, tightened from outside equipment
- Type CF are tamperproof, flush fitting and tightened inside equipment
- Ingress protection IP66/IP68
- International Ex certifications
- Brass, stainless steel and aluminium versions available



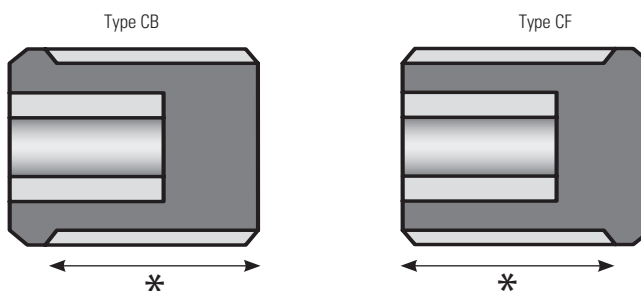
Technical specification

Type CF and CB stopping plugs	
ATEX marking	Ex I M2, Ex d I Mb, Ex e I Mb, Ex II 2 GD, Ex d IIC Gb, Ex e IIC Gb, Ex tb IIIC Db
ATEX certification	SIRA 10 ATEX 1224X, ITS 16 ATEX 101335X
IEC Ex certification	IECEx SIR 07.0009X, IECEx ITS16.0012X
Other certificates	CSA: CSA 200455-1003277 GOST: TC RUC-G B.ГБ506.B.00105 INMETRO: NCC 12.0764X NEPSI: GYJ13.1311X
Temperature range	This item is classified as a component; metallic products are not given an operating temperature range.
Ingress protection	IP66 / IP68
Material	brass, stainless steel 316L, aluminium

Dimensions

THREAD SIZE	ALLEN KEY APERTURE	TOTAL LENGTH
M16	6.0	17.0
M20	10.0	17.0
M25	10.0	17.0
M32	10.0	17.0
M40	19.0	17.0
M50	19.0	17.0
M63	19.0	17.0
M75	19.0	17.0

All dimensions in mm.



* Minimum 8 full threads parallel, 5 full threads taper.(Exd)

Ordering codes (Raxton)

DIGITS 1 & 2 DESCRIPTION (STOPPING PLUGS) CODE		DIGIT 3 MATERIAL	DIGITS 4 & 5 MALE / DIGITS 6 & 7 FEMALE (n/a)				DIGIT 8 CERTIFICATE	DIGIT 9 SPECIAL	DIGIT 10 PLATING		
CODE	CODE	CODE	THREAD SIZE / CODE	CODE	CODE	CODE	CODE	CODE	CODE	CODE	
CB flush fit stopping plug	CB	Brass	A	M16	11	½" NPT	ATEX / IECEx Ex de (all certificates)	None (standard)	X or blank	None	blank
		Aluminium	B	M20	12	¾" NPT				Nickel	N
CF tamperproof stopping plug	CF	Mild steel	C	M25	13	1" NPT	For other approvals please see the product coding list on page 3.24	Integrated O-ring	U	Zinc	Z
		Stainless steel 316L	E	M32	14	1¼" NPT				Chrome	C
				M40	15	1½" NPT				Special	S
				M50	16	2" NPT					
				M63	17	2½" NPT					
		M75	18	3" NPT	49	Industrial	X or blank				

Other sizes/threadforms available on request

PRODUCT CODE EXAMPLE	STOPPING PLUG	BRASS	M32 (M)	-	Ex d / Ex e	REFERENCE
	CB	A	14	00	Y	= CBA1400Y

For more information about product coding, see page 3.24

Type CK hex head stopping plugs - Raxton

Hazardous area accessories



Features

- Securely closes off unused entries
- Maintains Ex certification
- Maintains IP integrity
- Ingress protection IP66/IP68
- International Ex certifications
- Various threadforms and materials available



IP66

IP68

Technical specification

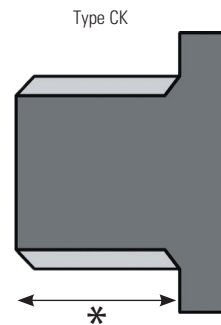
Type CK stopping plugs	
ATEX marking	Ex I M2, Ex d I Mb, Ex e I Mb, Ex II 2 GD, Ex d IIC Gb, Ex e IIC Gb, Ex tb IIIC Db
ATEX certification	SIRA 10 ATEX 1224X, ITS 16 ATEX 101335X
IEC Ex certification	IECEx SIR 07.0009X, IECEx ITS16.0012X
Other certificates	CSA: CSA 200455-1003277 GOST: TC RUC-G B.ГБ06.В.00105 INMETRO: NCC 12.0764X NEPSI: GYJ13.1311X
Temperature range	metallic products are not given an operating temperature range
Ingress protection	IP66 / IP68
Material	brass, aluminium, mild steel, stainless steel 316L

*This item is classified as a component; metallic products are not given an operating temperature range.

Dimensions

THREAD SIZE	HEX HEAD ACROSS FLATS	OVERALL LENGTH
M16	19.0	19.0
M20	24.0	19.0
M25	27.9	19.0
M32	37.6	19.0
M40	47.2	19.5
M50	55.9	20.5
M63	70.0	22.0
M75	80.0	23.0

All dimensions in mm.



* Minimum 8 full threads parallel, 5 full threads taper.(Exd)

Ordering codes (Raxton)

DIGITS 1 & 2 DESCRIPTION (STOPPING PLUGS)	DIGIT 3 CODE	DIGIT 3 MATERIAL	DIGIT 3 CODE	DIGITS 4 & 5 MALE / DIGITS 6 & 7 FEMALE (n/a)			DIGIT 8 CERTIFICATE	DIGIT 8 CODE	DIGIT 9		DIGIT 10		
				THREAD SIZE / CODE	THREAD SIZE / CODE	THREAD SIZE / CODE			SPECIAL	CODE	PLATING	CODE	
Hex head stopping plug	CK	Brass	A	M16	11	½" NPT	42	ATEX / IECEx Ex de (all certificates)	Y	None (standard)	X or blank	None	blank
		Aluminium	B	M20	12	¾" NPT	43					Nickel	N
		Mild steel	C	M25	13	1" NPT	44					Zinc	Z
		Stainless steel 316L	E	M32	14	1¼" NPT	45			Integrated O-ring	U	Chrome	C
												Special	S
												For other approvals please see the product coding list on page 3.24	
M40	15	1½" NPT	46	Industrial	X or blank								
M50	16	2" NPT	47										
M63	17	2½" NPT	48										
M75	18	3" NPT	49										

Other sizes/threadforms available on request

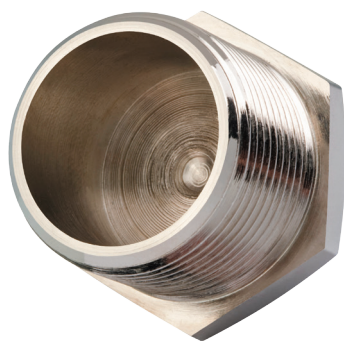
PRODUCT CODE EXAMPLE	STOPPING PLUG	ST. STEEL 316L	M25 (M)	-	Ex d / Ex e	REFERENCE
	CK	E	13	00	Y	= CKE1300Y

For more information about product coding, see page 3.24



Type CY hollow hex head stopping plugs - Raxton

Hazardous area accessories



Features

- Securely closes off unused entries
- Maintains Ex certification
- Maintains IP integrity
- Lighter product due to hollow design
- Ingress protection IP66/IP68
- International Ex certifications
- Brass, stainless steel and aluminium versions available



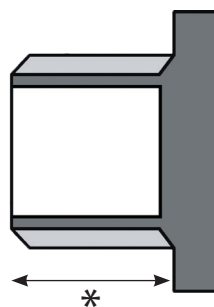
Technical specification

Type CY stopping plugs	
ATEX marking	Ex II 2 G, Ex d IIC Gb, Ex e IIC Gb Ex II 2D, Ex tb IIIC Db IP66
ATEX certification	SIRA 10 ATEX 1224X, ITS 16 ATEX 101335X
IEC Ex certification	IECEX SIR 07.0009X, IECEx ITS16.0012X
Other certificates	GOST: TC RUC-G B.ГБ506.B.00105 INMETRO: NCC 12.0764X NEPSI: GYJ13.1311X
Temperature range	This item is classified as a component; metallic products are not given an operating temperature range.
Ingress protection	IP66 / IP68
Material	brass, mild steel, stainless steel 316L

Dimensions

THREAD SIZE	ACROSS FLATS	TOTAL LENGTH
M16	19.0	19.0
M20	24.0	19.0
M25	27.9	19.0
M32	37.6	19.0
M40	47.2	19.5
M50	55.9	20.5
M63	70.0	22.0
M75	80.0	23.0

All dimensions in mm.



* Minimum 8 full threads parallel, or 5 full threads taper (Ex d)

Ordering codes (Raxton)

DIGITS 1 & 2 DESCRIPTION (STOPPING PLUGS) CODE		DIGIT 3 MATERIAL	DIGIT 4 CODE	DIGITS 4 & 5 MALE / DIGITS 6 & 7 FEMALE (n/a) THREAD SIZE / CODE			DIGIT 8 CERTIFICATE	DIGIT 8 CODE	DIGIT 9 SPECIAL	DIGIT 9 CODE	DIGIT 10 PLATING	DIGIT 10 CODE	
Hex head stopping plug	CY	Brass	A	M16	11	½" NPT	42	ATEX / IECEx Ex de (all certificates) Y	None (standard)	X or blank	None	blank	
		Aluminium	B	M20	12	¾" NPT	43				Nickel	N	
		Mild steel	C	M25	13	1" NPT	44				Zinc	Z	
		Stainless steel 316L	E	M32	14	1¼" NPT	45		For other approvals please see the product coding list on page 3.24	Integrated O-ring	U	Chrome	C
				M40	15	1½" NPT	46					Special	S
				M50	16	2" NPT	47						
				M63	17	2½" NPT	48						
				M75	18	3" NPT	49			Industrial	X or blank		

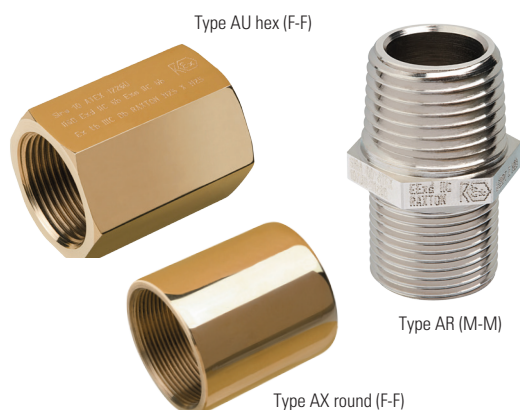
Other sizes/threadforms available on request

PRODUCT CODE EXAMPLE	STOPPING PLUG	BRASS	M32 (M)	-	Ex d / Ex e	REFERENCE
	CY	A	14	00	Y	= CYA1400Y

For more information about product coding, see page 3.24

Male to male and female to female adaptors - Raxton

Hazardous area accessories



Features

- Use to connect male-male or female-female threads
- Allows conversion of thread type or size in existing equipment
- Maintains Ex certification
- International Ex certifications
- Ingress protection IP66/IP68
- Various threadforms and materials available
- Brass and stainless steel versions available



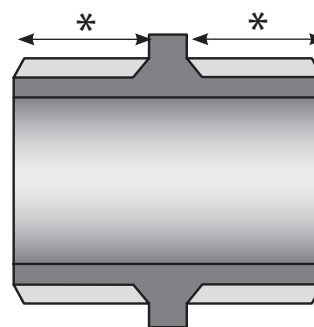
Technical specification

Male to male and female to female adaptors	
ATEX marking	Ex I M2, Ex d I Mb, Ex e I Mb Ex II 2 GD, Ex d IIC Gb, Ex e IIC Gb, Ex tb IIIC Db
ATEX certification	SIRA 10 ATEX 1225X, ITS 16 ATEX 101336X
IEC Ex certification	IECEX SIR 12.0014X, IECEX ITS16.0011X
Other certificates	GOST: TC RUC-G B.ГБ506.B.00105 INMETRO: NCC 12.0764X
Temperature range	This item is classified as a component; metallic products are not given an operating temperature range
Ingress protection	IP6X
Material	brass, mild steel, stainless steel 316L

Dimensions

THREAD SIZE	MALE TO MALE (TYPE AR)			FEMALE TO FEMALE (TYPE AU/AX)	
	LENGTH	ACROSS FLATS	BORE	LENGTH	ACROSS FLATS
M16	37.0	23.37	11.00	38.00	19.05
M20	37.5	23.37	14.00	38.00	24.00
M25	37.5	30.48	18.00	38.00	30.48
M32	37.5	37.59	24.00	38.00	37.59
M40	37.5	47.24	32.00	39.00	47.24
M50	38.0	55.88	41.00	39.00	55.88
M63	38.0	70.10	53.00	39.00	70.00
M75	38.5	80.01	64.00	39.00	90.00

All dimensions in mm.



* Minimum 8 full threads parallel, or 5 full threads taper (Ex d)

Ordering codes (Raxton)

DIGITS 1 & 2 DESCRIPTION (ADAPTORS)	DIGIT 3 CODE	DIGIT 3 MATERIAL	DIGIT 3 CODE	DIGITS 4 & 5 MALE / DIGITS 6 & 7 FEMALE		DIGIT 8 CERTIFICATE	DIGIT 8 CODE	DIGIT 9 SPECIAL	DIGIT 9 CODE	DIGIT 10 PLATING	DIGIT 10 CODE	
				THREAD SIZE / CODE	CODE							
M-M	AR	Brass	A	M16	11	½" NPT	42	ATEX / IECEX Ex de (all certificates)	None (standard)	X or blank	None Nickel Zinc Chrome Special	blank N Z C S
F-F hex	AU	Mild steel	C	M20	12	¾" NPT	43					
F-F round	AX	Stainless steel 316L	E	M25	13	1" NPT	44					
				M32	14	1¼" NPT	45					
				M40	15	1½" NPT	46					
				M50	16	2" NPT	47					
				M63	17	2½" NPT	48					
				M75	18	3" NPT	49	Industrial	X or blank			

Other sizes/threadforms available on request

PRODUCT CODE EXAMPLE	M-M ADAPTOR	BRASS	M20 (M)	M20 (F)	Ex d / Ex e	REFERENCE
		AR	A	12	12	Y

For more information about product coding, see page 3.24



Features

- Insulates the earth of the supply cable from the associated equipment
- Reduces the risk of damage to electronic equipment within the enclosure in the event of a short circuit to ground through the enclosure
- International Ex certifications
- Brass, stainless steel, mild steel and aluminium versions available



IP54

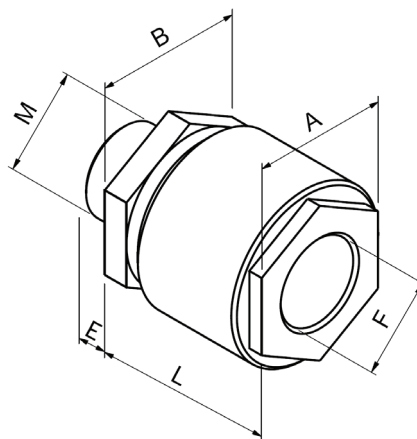
Technical specification

Insulating adaptors	
ATEX marking	Ex II 2 GD, Ex db IIC Gb, Ex eb IIC Gb, Ex tb IIIC Db
ATEX certification	ITS 16 ATEX 101088X
IEC Ex certification	IECEx ITS 16.0049X
Temperature range	-20 °C to +130 °C
Ingress protection	IP54
Material	brass, mild steel, stainless steel 316L, aluminium insulating material - glass-filled nylon

Dimensions

THREAD SIZE	THREAD LENGTH	TOTAL LENGTH
M16	15.0	64.0
M20	15.0	64.0
M25	15.0	64.0
M32	15.0	64.0
M40	15.0	64.0
M50	15.0	64.0
M63	15.0	64.0
M75	15.0	64.0

All dimensions in mm.



Ordering codes (Redapt)

DIGITS 1 & 2 DESCRIPTION (INS.ADP)	DIGIT 3		DIGIT 4		DIGIT 5		DIGITS 6 & 7 MALE / DIGITS 8 & 9 FEMALE				
	CODE	CERTIFICATE	CODE	MATERIAL	CODE	PLATING	CODE	THREAD SIZE / CODE			
Insulating Adaptor	DB	Ex d / Ex e	U	Brass	1	None	0	M16	03	½" NPT	29
				Mild steel	2	Nickel	1	M20	04	¾" NPT	30
				Stainless steel 316L	3	Zinc	2	M25	05	1" NPT	31
				Aluminium	5			M32	06	1¼" NPT	32
							M40	07	1½" NPT	33	
							M50	08	2" NPT	34	
							M63	09	2½" NPT	35	
							M75	10	3" NPT	36	
		Industrial	F								

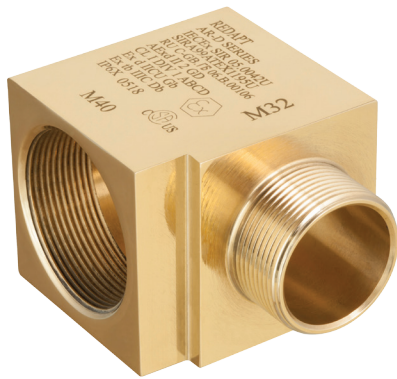
Other sizes/threadforms available on request

PRODUCT CODE EXAMPLE	INS.ADP.	Ex d / Ex e	BRASS	PLATING (NONE)	M25	M25	REFERENCE
	DB	U	1	0	05	05	= DBU100505

For more information about product coding, see page 3.25

Right angle adaptors - Redapt

Hazardous area accessories



Features

- Provides a means of connection where protrusion space is limited
- Allows the conversion of thread size/threadforms whilst connecting
- Maintains Ex certification whilst converting thread size or threadforms
- International Ex certifications
- Ingress protection IP66/IP68
- Various threadforms and materials available



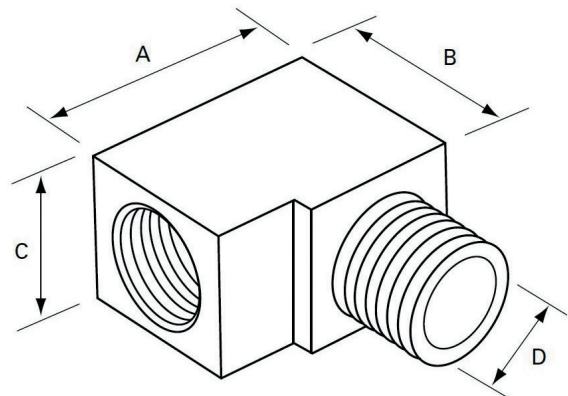
Technical specification

Right angle adaptors	
ATEX marking	Ex II 2 GD, Ex d IIC Gb, Ex tb IIIC Db, IP6X
ATEX certification	Sira 99 ATEX 1195U
IEC Ex certification	IECEx SIR 12.0016X
Other certificates	GOST: TC RUC-G B.ГБ506.B.00105 INMETRO: NCC 12.0764X
Temperature range	This item is classified as a component; metallic products are not given an operating temperature range
Ingress protection (IP)	IP66 / IP68
Material	brass, aluminium, stainless steel 316L

Dimensions

	BORE (D)	THREAD LENGTH	TOTAL HEIGHT (A)	LENGTH (B)	WIDTH (C)
M16 x M16	10.0	16.00	33.00	27.00	23.00
M20 x M20	14.5	16.00	39.00	29.00	25.00
M25 x M25	18.0	16.00	46.00	35.00	32.00
M32 x M32	24.0	16.00	51.00	44.00	40.00
M40 x M40	32.0	16.00	61.00	52.00	48.00
M50 x M50	41.0	16.00	73.00	65.00	60.00
M63 x M63	53.0	16.00	86.00	77.00	73.00
M75 x M75	64.0	16.00	99.00	94.00	87.00

All dimensions in mm.



Ordering codes (Redapt)

DIGITS 1 & 2 DESCRIPTION (R.A. ADAPTORS)	DIGIT 3 CERTIFICATE	DIGIT 4 MATERIAL	DIGIT 5 PLATING	DIGITS 6 & 7 MALE / DIGITS 8 & 9 FEMALE THREAD SIZE / CODE
Right angle adaptor	Ex d	Brass	None	M16 03 ½" NPT 29
		Stainless steel 316L	Nickel	M20 04 ¾" NPT 30
		Aluminium	Zinc	M25 05 1" NPT 31
				M32 06 1¼" NPT 32
				M40 07 1½" NPT 33
				M50 08 2" NPT 34
				M63 09 2½" NPT 35
	Industrial	F		M75 10 3" NPT 36

Other sizes/threadforms available on request

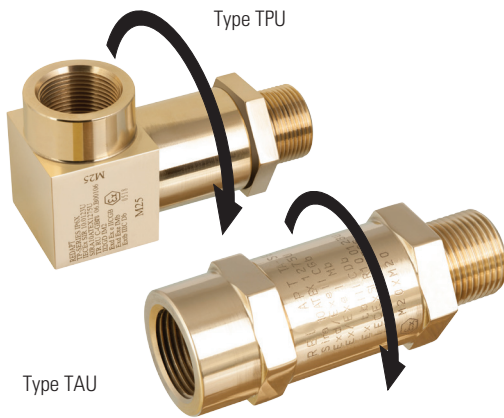
PRODUCT CODE EXAMPLE	R.A.ADP.	Ex d	BRASS	PLATING (NONE)	M25	M20	REFERENCE
	AR	D	1	0	05	04	= ARD100504

For more information about product coding, see page 3.25



Swivel adaptors - Redapt

Hazardous area accessories



Features

- Allows a full 360° of cable entry/exit positions
- The inline version allows independent connection at both ends
- Greatly improves ease of installation in confined or difficult locations
- Inline and right angle versions available
- International Ex certifications
- Ingress protection IP66/IP68
- Male/male and female/female options available
- Various threadforms and materials available

Technical specification

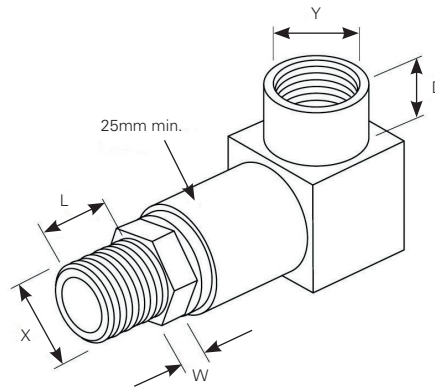
Swivel adaptors	
ATEX marking	Ex I M2, Ex d I Mb, Ex e I Mb (not aluminium) Ex II 2GD, Ex d IIC Gb, Ex e IIC Gb, Ex tb IIC Db
	II 2GD, Ex d Ex e IIC Gb, Ex d Ex e I Mb (not aluminium), Ex tb IIC Db IP 6X
ATEX certification	SIRA 10 ATEX 1275U
IEC Ex certification	IECEX SIR 10.0123U, IECEX SIR 12.0016X (droit)
Temperature range	-20 °C to +60 °C (Ex d), -50 °C to +200 °C (Ex e)
Ingress protection	IP66 / IP68
Material	brass, stainless steel 316L, aluminium



Dimensions

THREAD SIZE MALE (X)	THREAD SIZE FEMALE (Y)	L	W	D
M20	M20	17.0	4.0	17.0
M25	M20 to M25	17.0	4.0	17.0
M32	M20 to M32	17.0	5.0	17.0
M40	M20 to M40	17.0	5.0	17.0
M50	M20 to M50	17.0	5.0	17.0
M63	M20 to M63	17.0	5.0	17.0
M75	M20 to M75	17.0	5.0	17.0

All dimensions in mm.



Ordering codes (Redapt)

DIGITS 1 & 2 DESCRIPTION (ADP TOURNANTS)	DIGIT 3 CERTIFICATE	DIGIT 4 CODE	DIGIT 5 CODE	DIGIT 6 PLATING	DIGIT 7 CODE	DIGIT 8 CODE	DIGIT 9 CODE	DIGITS 6 & 7 MALE / DIGITS 8 & 9 FEMALE
DESCRIPTION	CODE	CERTIFICATE	CODE	MATERIAL	CODE	PLATING	CODE	THREAD SIZE / CODE
Swivel adaptor (inline)	TA	Ex d / Ex e	U	Brass	1	None	0	M16 03 ½" NPT 29
Swivel adaptor (90°)	TP			Stainless steel 316L	3	Nickel	1	M20 04 ¾" NPT 30
				Aluminium	5	Zinc	2	M25 05 1" NPT 31
								M32 06 1¼" NPT 32
								M40 07 1½" NPT 33
								M50 08 2" NPT 34
								M63 09 2½" NPT 35
	Industrial	F						M75 10 3" NPT 36

Other sizes/threadforms available on request

PRODUCT CODE EXAMPLE	SWIVEL ADP.	Ex d / Ex e	BRASS	PLATING (NONE)	M25	M20	REFERENCE
	TA	U	1	0	05	04	= TAU100504

For more information about product coding, see page 3.25

'Y' adaptors - Redapt

Hazardous area accessories



Features

- Allows additional connection in space-restricted environments
- Allows the conversion to another size and/or threadform
- Maintains Ex certification while converting to another size and/or threadform
- International Ex certifications
- Ingress protection IP66/IP68
- Brass, stainless steel, mild steel and aluminium versions available



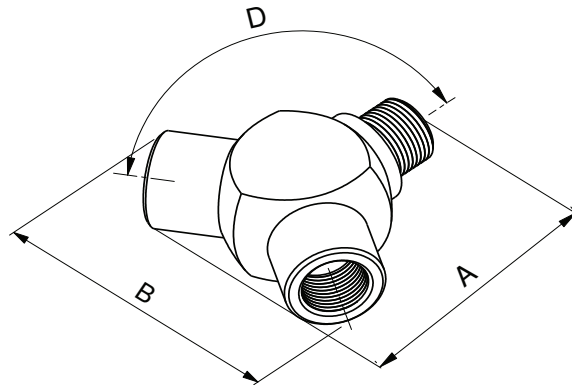
Technical specification

'Y' Adaptors	
ATEX marking	Ex I M2, Ex db I Mb, Ex eb I Mb (not aluminium) Ex II 2GD, Ex db IIC Gb, Ex eb IIC Gb, Ex tb IIIC Db IP 66
ATEX certification	ITS 16 ATEX 101340U
IEC Ex certification	IECEx ITS 16.0015U
Temperature range	-60 °C to +200 °C
Ingress protection	IP66 / IP68
Material	brass, aluminium, stainless steel 316L, mild steel

Dimensions

THREAD SIZE MALE	THREAD SIZE FEMALE	A (MAX)	B (MAX)	ANGLE BETWEEN ENTRIES "D"
M16	M16	65.00	75.00	120 °
M20	M20	65.00	75.00	120 °
M25	M25	67.00	78.00	120 °
M32	M32	70.00	81.00	120 °
M40	M40	89.00	102.00	120 °
M50	M50	104.00	120.00	120 °
M63	M63	131.00	151.00	120 °
M75	M75	153.00	177.00	120 °
¾"NPT	¾"NPT	65.00	75.00	120 °
½"NPT	½"NPT	65.00	75.00	120 °
¾"NPT	¾"NPT	67.00	78.00	120 °
1"NPT	1"NPT	78.00	90.00	120 °
1¼"NPT	1¼"NPT	89.00	102.00	120 °
1½"NPT	1½"NPT	104.00	120.00	120 °
2"NPT	2"NPT	131.00	151.00	120 °
2½"NPT	2½"NPT	153.00	177.00	120 °

All dimensions in mm.



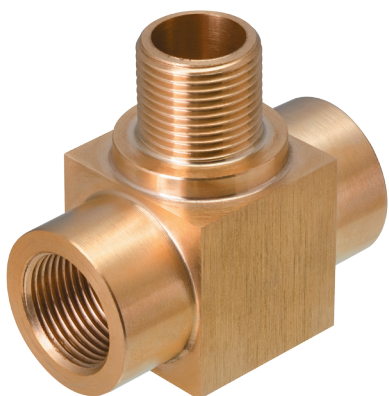
Ordering codes (Redapt)

DIGITS 1 & 2 DESCRIPTION ('Y' ADAPTORS)	CODE	DIGIT 3 CERTIFICATE	CODE	DIGIT 4 MATERIAL	CODE	DIGIT 5 PLATING	CODE	DIGITS 6 & 7 MALE / DIGITS 8 & 9 FEMALE			
								THREAD SIZE / CODE			
'Y' adaptor	AY	Ex d / Ex e	U	Brass	1	None	0	M16	03	½" NPT	29
				Mild steel	2	Nickel	1	M20	04	¾" NPT	30
				Stainless steel 316L	3	Zinc	2	M25	05	1" NPT	31
				Aluminium	5			M32	06	1¼" NPT	32
								M40	07	1½" NPT	33
								M50	08	2" NPT	34
								M63	09	2½" NPT	35
								M75	10	3" NPT	36
		Industrial	F								

Other sizes/threadforms available on request

PRODUCT CODE EXAMPLE	'Y' ADAPTOR	Ex d / Ex e	ST. STEEL	PLATING (NONE)	M32	M32	REFERENCE
	AY	U	3	0	06	06	= AYU300606

For more information about product coding, see page 3.25



Features

- Allows additional connection in space-restricted environments
- Allows the conversion to another size and/or threadform
- Maintains Ex certification while converting to another size and/or threadform
- International Ex certifications
- Ingress protection IP66/IP68
- Brass, stainless steel, mild steel and aluminium versions available



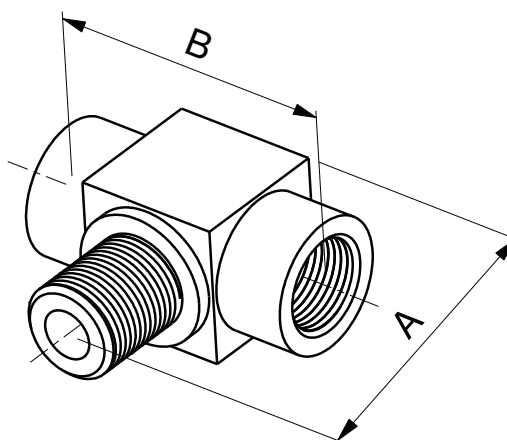
Technical specification

'T' adaptors	
ATEX marking	Ex I M2, Ex db I Mb, Ex eb I Mb (not aluminium) Ex II 2GD, Ex db IIC Gb, Ex eb IIC Gb, Ex tb IIIC Db IP 66
ATEX certification	ITS 16 ATEX 101340U
IEC Ex certification	IECEx ITS 16.0015U
Temperature range	-60 °C to +200 °C
Ingress protection	IP66 / IP68
Material	brass, mild steel, stainless steel 316L, aluminium

Dimensions

THREAD SIZE MALE	THREAD SIZE FEMALE	A (MAX)	B (MAX)
M16	M16 to M20	65.00	75.00
M20	M16 to M25	65.00	75.00
M25	M16 to M32	67.00	78.00
M32	M16 to M40	70.00	81.00
M40	M16 to M50	89.00	102.00
M50	M16 to M63	104.00	120.00
M63	M16 to M75	131.00	151.00
M75	M16 to M75	153.00	177.00
¾" NPT	¾" NPT to ½" NPT	65.00	75.00
½" NPT	¾" NPT to ¾" NPT	65.00	75.00
¾" NPT	¾" NPT to 1" NPT	67.00	78.00
1" NPT	¾" NPT to 1½" NPT	78.00	90.00
1¼" NPT	¾" NPT to 1½" NPT	89.00	102.00
1½" NPT	¾" NPT to 2" NPT	104.00	120.00
2" NPT	¾" NPT to 2½" NPT	131.00	151.00
2½" NPT	¾" NPT to 2½" NPT	153.00	177.00

All dimensions in mm.



Ordering codes (Redapt)

DIGITS 1 & 2 DESCRIPTION ('T' ADAPTORS)	CODE	DIGIT 3 CERTIFICATE	CODE	DIGIT 4 MATERIAL	CODE	DIGIT 5 PLATING	CODE	DIGITS 6 & 7 MALE / DIGITS 8 & 9 FEMALE							
								THREAD SIZE / CODE							
'T' adaptor	AT	Ex d / Ex e	U	Brass	1	None	0	M16	03	½" NPT	29				
								M20	04	¾" NPT	30				
								M25	05	1" NPT	31				
								M32	06	1¼" NPT	32				
				Mild steel	2	Nickel	1	M40	07	1½" NPT	33				
								M50	08	2" NPT	34				
								M63	09	2½" NPT	35				
								M75	10	3" NPT	36				
								Stainless steel 316L	3	Zinc	2				
Aluminium	5														
Industrial	F														

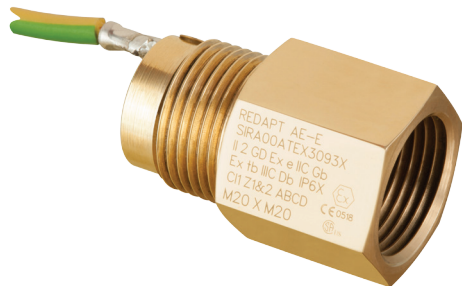
Other sizes/threadforms available on request

PRODUCT CODE EXAMPLE	'T' ADAPTOR	Ex d / Ex e	BRASS	PLATING (NONE)	M25	M25	REFERENCE
	AT	U	1	0	05	05	= ATU100505

For more information about product coding, see page 3.25

Earth lead adaptors - Redapt

Hazardous area accessories



Features

- Provides equipotential bonding or grounding of cable entries
- Maintains Ex certification
- International Ex certifications
- Various threadforms and materials available



IP66

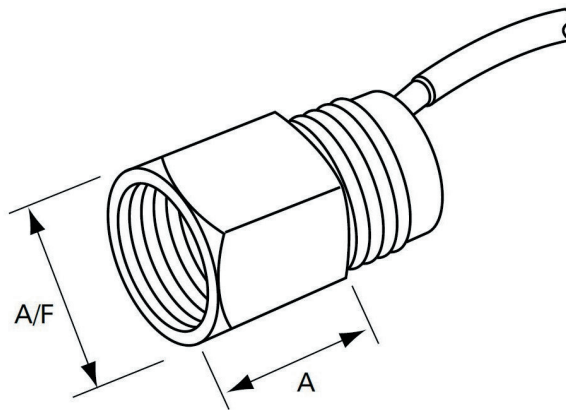
Technical specification

Earth lead adaptors	
ATEX marking	Ex II 2GD, Ex e IIC Gb, Ex tb IIIC Db
ATEX certification	SIRA 00 ATEX 3093X
IEC Ex certification	IECEx SIR 12.0016X
Other certificates	CSA: 1248014 (LR 106084) EAC: TC RUC-G B.ГБ06.B.00105
Temperature range	-20 °C to +40 °C
Material	brass, mild steel, stainless steel 316L, aluminium

Dimensions

THREAD SIZE	LENGTH A	ACROSS FLATS (A/F)
M16	21.50	23.37
M20	21.50	30.48
M25	21.50	37.59
M32	21.50	47.24
M40	21.50	55.88
M50	21.50	70.10
M63	21.50	90.17

All dimensions in mm.



Ordering codes (Redapt)

DIGITS 1 & 2 DESCRIPTION (EARTH LEAD ADP.)	DIGIT 3	DIGIT 4	DIGIT 5	DIGITS 6 & 7 MALE / DIGITS 8 & 9 FEMALE				
CODE	CERTIFICATE	CODE	MATERIAL	CODE	PLATING	CODE	THREAD SIZE / CODE	
Earth lead adaptor	AE	Ex e	E	Brass	1	None	0	M16 03 ½" NPT 29
				Mild steel	2			M20 04 ¾" NPT 30
				Stainless steel 316L	3			M25 05 1" NPT 31
				Aluminium	5			M32 06 1¼" NPT 32
								M40 07 1½" NPT 33
							M50 08 2" NPT 34	
							M63 09 2½" NPT 35	
							M75 10 3" NPT 36	
	Industrial		F					

Other sizes/threadforms available on request

PRODUCT CODE EXAMPLE	EARTH LEAD ADP.	Ex d / Ex e	BRASS	PLATING (NONE)	M25	M25	REFERENCE
	AE	E	1	0	05	05	= AEE100505

For more information about product coding, see page 3.25