



Zone 2, 22

Very high efficacy explosion-proof linear LED luminaire.



CE Ex II 3G Ex ec IIC T6 Gc
 CE Ex II 3D Ex tc IIIC T85°C Dc

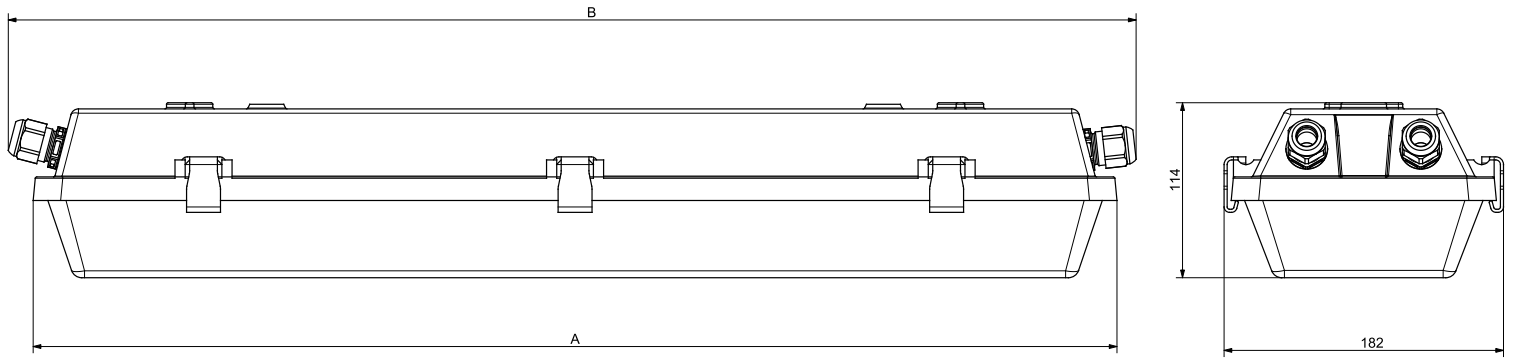
- Zone 2 and Zone 22 certificate
- Integrated LED PCB
- CRI>80
- 3 available CCT: 3000; 4000 and 5000K
- IP 66

- Samsung LED light source
- Tridonic LED driver
- high quality materials
- different available mounting accessories
- ideal for replacing traditional fluorescent luminaires

The power of the luminaires can be configured on request!

Type of luminaire	Ex Zone	Ex protection mode	Maximum Power	Maximum Luminous flux*	Ex thermal class	Weight
ExProof Linear ECO 60 Z2	Z2/22	ec / tc	26 W	4285 lm	T6 / T85°C	2,4 kg
ExProof Linear ECO 120 Z2	Z2/22	ec / tc	55 W	9216 lm	T6 / T85°C	3,8 kg
ExProof Linear ECO 150 Z2	Z2/22	ec / tc	75 W	11 888 lm	T6 / T85°C	5,3 kg
ExProof Linear ECO 60 EM Z2	Z2/22	ec / tc	50 W	4285 lm	T6 / T85°C	2,9 kg
ExProof Linear ECO 120 EM Z2	Z2/22	ec / tc	80 W	9216 lm	T6 / T85°C	4,3 kg
ExProof Linear ECO 150 EM Z2	Z2/22	ec / tc	100 W	11 888 lm	T6 / T85°C	5,8 kg

EM versions: the maximum power includes the built-in battery heater!



Dimension	A/mm	B/mm
ECO 60	703	732
ECO 120	1312	1340
ECO 150	1615	1642

**Maximal number of luminaires connected to 1 circuit breaker
(at maximum power level)**

Type of luminaire	Inrush current	Type	max number of luminaires			
			10A	13A	16A	20A
ExProof Linear ECO 60	15A / 100 μ s	B	37	48	59	74
		C	37	48	59	74
ExProof Linear ECO 120	20A / 90 μ s	B	24	32	40	50
		C	24	32	40	50
ExProof Linear ECO 150	24A / 120 μ s	B	18	24	30	38
		C	18	24	30	38

The maximum number of luminaires connected to 1 circuit breaker may differ depending on the certain type of the circuit breaker. In each individual case, get contact with the circuit breaker's manufacturer!

Nominal supply voltage:	220-240 V AC 50/60Hz / 220V -240 V DC
Power factor:	>0,9
CCT	4000K
Optional CCT	3000K,5000K
CRI:	>80 CRI
Beam angle:	120°
IP class:	IP 66
IK class:	IK 10
Electric protection:	CLASS I (protective earth)
Surface treatments:	none
Materials:	GRP, PC
Lifetime: L70B10@25°C	>100 000 hrs
Ambient temperature:	-30°C - +50°C / +45